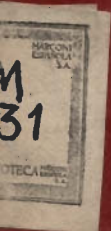


FREQUENCY MODULATION

BY K. R. STURLEY, Ph.D., M.I.E.E.



**Electronic
Engineering**

TECHNICAL MONOGRAPH
MULLEN PRESS LTD

2/6 net

**ELECTRONIC ENGINEERING
MONOGRAPHS**

The publishers of "Electronic Engineering" are issuing at intervals a series of technical monographs on specially interesting radio and electronic subjects.

These will enable radio engineers and students to acquire at reasonable cost information which could only be otherwise obtained from a number of books and periodicals.

This is the first Monograph in the series. The following have also been published:—

"PLASTICS IN THE RADIO INDUSTRY"

by E. G. Couzens, B.Sc., A.R.C.S.

and

W. G. Wearmouth, Ph.D.

Price 2/8, post free.

"THE ELECTRON MICROSCOPE"

by D. Gabor, Dr.-Ing., F.Inst.P.

Price 4/9, post free.

Copies of both are available, at the above prices, from the publishers—HULTON PRESS, Ltd.,
43 Shoe Lane, London, E.C.A.

MARCONI
ESPAÑOLA
S.A.

M231

MARCONI
ESPAÑOLA
S.A.

Dirección General.

Frequency Modulation.

Sturley.

1.946.

MARCONI
ESPAÑOLA
S.A.

BIBLIOTECA

MARCONI
ESPAÑOLA
S.A.

M258

552

FREQUENCY MODULATION

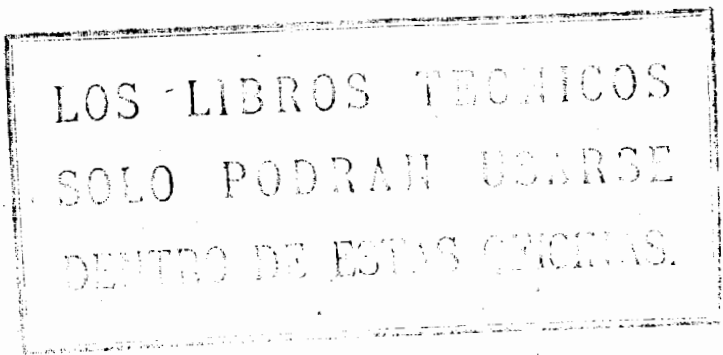
By K. R. STURLEY, Ph.D., M.I.E.E.

(MARCONI SCHOOL OF WIRELESS COMMUNICATION)



2nd Edition

Revised and Enlarged



LONDON:
HULTON PRESS, LTD.

FIRST EDITION

First printing November, 1942
Second printing January, 1943
Third printing January, 1943
Fourth printing March, 1943
Fifth printing June, 1943

SECOND EDITION

First printing August, 1944
Second printing March, 1946

CHAPTER I.

GENERAL NATURE OF THE SYSTEM.

THE direct transmission and reception of speech or music over long distances, though not impossible, is impracticable, and propagation of audio frequencies is usually accomplished by using them to modulate an R.F. wave acting as a carrier, *i.e.*, the audio frequencies are used to control one of the three characteristics—amplitude, frequency, or phase—of the carrier. The most common method is by modulation of the carrier amplitude, the rate at which the amplitude is changed being directly proportional to the frequency of the original sound and the magnitude of the amplitude change being directly proportional to the intensity (a low intensity producing a small change of amplitude). This is illustrated in Figs. 1a and 1b, the unmodulated carrier amplitude in each case being constant at 1 volt. Fig. 1a corresponds to a low intensity sound, the carrier amplitude varying between 0.9 and 1.1 volts, whilst Fig. 1b corresponds to a high intensity sound, the carrier being 100 per cent. modulated, its amplitude varying from 0 to 2 volts.

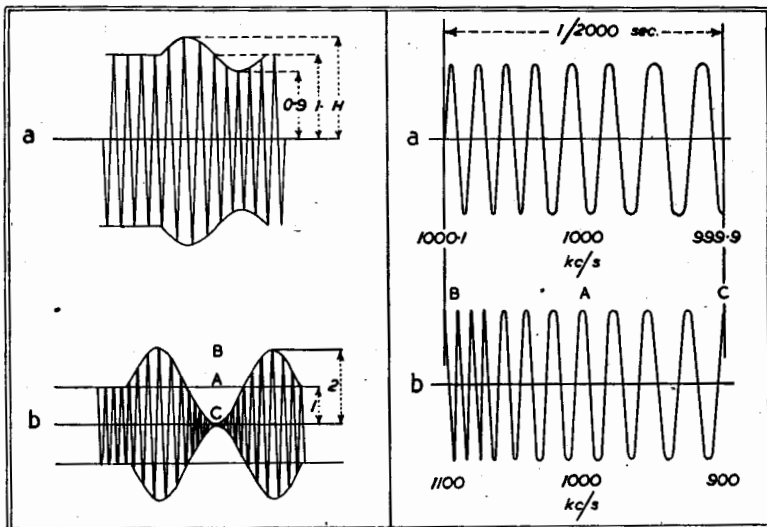


Fig. 1 (left). Amplitude modulated wave.

Fig. 2 (right). A half modulation cycle of frequency modulated wave.

In frequency modulation, the carrier amplitude remains constant and its frequency is varied at a rate corresponding to the modulation frequency (1,000 times per second if $f_{\text{mod}}=1,000$ c.p.s.) and the frequency deviation (rise and fall from the central unmodulated carrier frequency) is controlled by the intensity of the audio frequency. For example, suppose a 1,000 c.p.s. note is being transmitted on a carrier frequency of unmodulated value, 1,000 kc/s, the variation of the carrier frequency takes place at the rate of 1,000 changes per second and the frequency limits may be ± 100 c.p.s. (the carrier frequency changing between 1,000.1 and 999.9 kc/s) for a low intensity to $\pm 100,000$ c.p.s. for a high intensity note. These two conditions are illustrated in Figs. 2a and b for a half cycle of the modulation frequency. With phase modulation the amplitude of the carrier remains constant and its phase angle with respect to its unmodulated condition is advanced and retarded at the frequency of the audio signal. The magnitude of the phase change is determined by the intensity of the audio frequency. Phase modulation has an effect on the carrier akin to frequency modulation, and whilst the phase of the carrier is varying its frequency is also varying. There is a difference between the two, but this is discussed later.

Until recently neither frequency nor phase modulation has been used to any great extent, largely because more complicated apparatus is required for reception and transmission than for amplitude modulation and they appeared to offer few advantages. Armstrong^{13*} has, however, demonstrated that frequency modulation can, under certain conditions, give better fidelity, greatly improved signal-to-noise ratio† and larger broadcast service area than amplitude modulation and it seems probable that frequency modulation may be considerably developed in the future.

The Principles Involved in Frequency and Phase Modulated Transmission^{5, 39}.

For understanding the operation of any type of modulation a vector diagram is most useful, and amplitude modulation is quite simply illustrated if the modulation envelope is sinusoidal. The amplitude modulated signal is represented mathematically by

$$E \sin 2\pi f_c t [1 + M \sin (2\pi f_m t)] \quad \dots \quad \dots \quad \dots \quad \dots \quad \dots \quad (1)$$

where E is the unmodulated carrier peak value,

f_c = carrier frequency,

f_m = modulating frequency,

M = the modulation ratio, the maximum value of which is 1.

The vector (expression 1) rotates at a speed of f_c c.p.s. and varies in amplitude f_m times per second. An observer rotating with the

*Numbers in text refer to Bibliography.

†Credit must be given to H. J. Round, who first envisaged the possibilities of an improved signal-to-noise ratio from a frequency modulated system in a letter to the *Radio Review* (Vol. 2, p. 220), in 1921.

carrier vector would see it as stationary with amplitude varying between the limits $\hat{E}(1+M)$ and $\hat{E}(1-M)$ as shown in Fig. 3a. Expression (1) can be expanded to

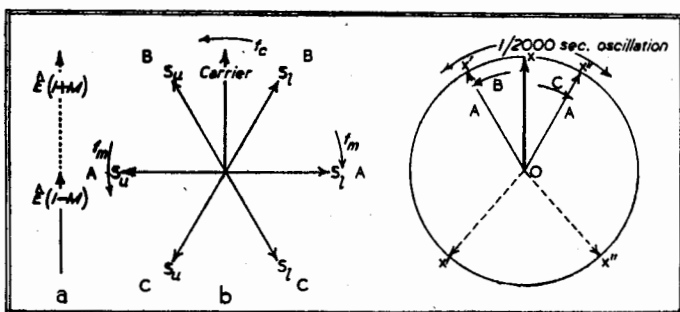


Fig. 3 (left). Vector diagram for amplitude modulated wave.

Fig. 4a (right). Vector diagram for frequency modulated wave.

$$\hat{E} \sin 2\pi f_c t + \frac{\hat{E}M}{2} \cos 2\pi (f_c - f_m) t - \frac{\hat{E}M}{2} \cos 2\pi (f_c + f_m) t \quad \dots \quad (2)$$

which consists of a carrier vector \hat{E} rotating at f_c c.p.s. and two equal sideband vectors $\frac{\hat{E}M}{2}$ rotating at $(f_c + f_m)$ and $(f_c - f_m)$ c.p.s. about the same point as the carrier vector. Since these two sideband vectors only influence the carrier amplitude it is clear that their resultant must always be in line with the carrier and this is shown in Fig. 3b for successive instants of time corresponding to points A, B and C on Fig. 1b. The upper frequency sideband vector S_u is rotating round the carrier vector in an anti-clockwise direction (the accepted positive direction of frequency) at f_m c.p.s., whilst the lower frequency sideband vector S_l rotates in a clockwise direction round the carrier vector at the same frequency. The carrier vector in Fig. 3b is, for convenience, shown as stationary, though actually it moves round in an anti-clockwise direction at f_c c.p.s.

The problem of representing frequency modulation by a single vector is complicated by the fact that the frequency of the carrier is varying in accordance with the amplitude of the modulating frequency, and this means that the carrier vector rotates at varying speeds. Taking the example given above, for a frequency deviation of $\pm 100,000$ c.p.s. the carrier varies from 1,100 kc/s. to 900 kc/s., and if we, acting as observers of the carrier vector, were to rotate at a frequency f_c c.p.s. (the carrier unmodulated value) in the same direction as the carrier vector, the latter would appear to oscillate backwards and forwards like a metronome, at the frequency of the modulating wave, *i.e.*, 1,000 times per second. This condition is illustrated in Fig. 4a; again, like the metronome, the vector is stationary at the extremes, positions x' and x'' of its stroke so that

the carrier frequency is instantaneously at its unmodulated value f_c (this is point A in Fig. 2b), whilst it is moving at its fastest, backwards or forwards at the centre x of its swing. Movement of the vector in an anti-clockwise direction means that the frequency is greater than f_c and in a clockwise direction the reverse. Hence point x when the vector moves anti-clockwise corresponds to B in Fig. 2b, but when the vector is travelling clockwise x corresponds to C. In frequency modulation the carrier deviation is fixed for a given amplitude of modulating input, so that the speed of the vector as it passes through x is constant and independent of the frequency of oscillation backwards and forwards (that of the modulating input). Treating the problem as a mechanical one, the initial velocity at x' or x'' is zero, and the final velocity v at x is constant, so that the distance travelled from x' to x or x'' is proportional to $v \times t$, but time t is proportional inversely to the modulating frequency, so that

$$x'x = x''x = Kvt = K_1t = \frac{K_2}{f_m} \propto \frac{1}{f_m}$$

Hence the angle swept out by the carrier vector is large for low modulating frequencies and small for high modulating frequencies; dotted positions x' and x'' correspond to a lower modulating frequency than the full line positions. This again is analogous to the metronome, which increases its angle of sweep as the frequency decreases. The mathematical expression for a frequency modulated wave is

$$\hat{E} \sin \left[2\pi f_c t - M \cos 2\pi f_m t \right] \dots \dots \dots \dots \dots \quad (3)$$

where $M = \frac{f \text{ deviation}}{f_{\text{mod}}}$, sometimes called the modulation index, and

the angle swept out by the vector is M radians or $57.3 \frac{f_{\text{dev}}}{f_m}$ degrees, which is seen to be inversely proportional to f_m . In the same way that expression (1) for amplitude modulation can be turned into a carrier and sidebands so can expression (3) be treated, but instead of only two sidebands per fundamental modulating frequency it is found that there is a large number ^{1, 2}, spaced from the carrier by frequencies of $\pm f_m, \pm 2 f_m, \pm 3 f_m$, etc.

The theoretically infinite number of sidebands is for all practical purposes fortunately limited as the amplitudes of the sidebands more distant from the carrier normally decrease very rapidly. It is not only in the number of sidebands that frequency modulation differs from amplitude, but also in their position with respect to the carrier. All odd-numbered sideband vectors $\pm f_m, \pm 3 f_m$, etc., from the carrier are so placed that their resultant falls on a line at right angles to the carrier ^{4, 5} vector, and all even-numbered sidebands have a resultant in line with the carrier vector. The addition of a carrier and two sideband vectors (spaced $\pm f_m$ from the carrier) having a

resultant 90° displaced from the carrier vector is shown in Fig. 4b. These two sideband vectors rotate round the carrier vector point O at f_m c.p.s., and their resultant adds to the carrier to cause the latter to oscillate backwards and forwards along the line AB. In fact it is the same as Fig. 4a apart from the amplitude variation of the vector; by adding suitable amplitudes of wider spaced sidebands we can neutralise the amplitude variation causing the point of the vector to describe an arc $x' x''$ giving only frequency modulation. Another important point to note with regard to frequency modulation sidebands is that the individual amplitudes are not directly proportional to the amplitude of the original modulating frequency as in amplitude modulation, but actually vary widely (sometimes becoming zero) as the angle swept out by the carrier vector changes. The amplitude of the carrier component also varies widely,

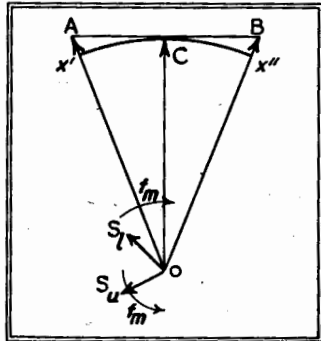


Fig. 4b. Frequency modulation due to 90° phase shift in sideband vector resultant with respect to the carrier.

and for certain modulation index values falls to zero. The amplitudes are actually Bessel coefficient functions of the modulation index, and the variation of the carrier and first three pairs of sidebands is plotted against modulation index in Fig. 5. When the modulation index is small, *i.e.*, the angle swept out by the vector in Fig. 4a is small (f_m high), all sideband pairs except those nearest

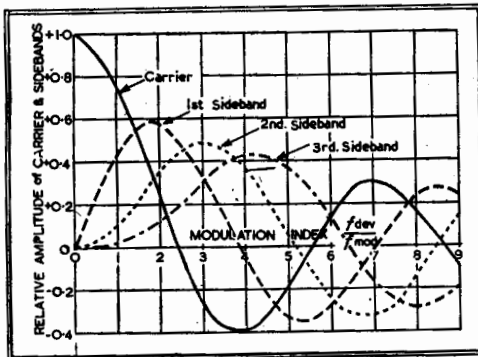


Fig. 5. Relative amplitude of carrier and sideband components of F.M. carrier in terms of the modulation index.

the carrier are so small in amplitude that they can be neglected, but for a large modulation index, *i.e.*, a large angle of vector oscillation (f_m low), there are many sidebands of appreciable amplitude. For example, if $f_m = 50$ c.p.s. and its amplitude is such as to give a frequency change of carrier of $\pm 1,000$ c.p.s., the angle swept out by the vector moving from

x' to x (Fig. 4a) is —

50

$=20$ radians or $1,146^\circ$, whereas for $f_m=5,000$ c.p.s. and the same frequency change the angle swept out by the vector is $\frac{1,000}{5,000}=0.2$

radians or 11.46° . It should be noted that the carrier vector may make a number of revolutions for low modulating frequencies.

Fig. 5 shows that the carrier component is zero at modulation indexes of 2.405, 5.52, 8.654, etc. (the zero points continue at modulation index separations of approximately π , *i.e.*, 3.14), and this fact is used for determining the frequency deviation³³ of an F.M. signal.

The vector representation of phase modulation is similar to that of frequency modulation with one important difference; the angle swept out by the vector is constant for a given amplitude of all modulating frequencies and is dependent only on the amplitude of the latter. This essentially means that the velocity of the vector at the centre x (Fig. 4a) increases as the speed of oscillation increases, *i.e.*, the rise and fall in carrier frequency (frequency deviation) is directly proportional to the modulating frequency. It is possible to turn phase into frequency modulation by inserting in the modulation frequency amplifier a network having an amplification characteristic

inversely proportional to frequency, giving a low frequency a large amplitude and a high frequency a small amplitude, *i.e.*, the phase angle is no longer constant, but increases as the modulation frequency falls. The mathematical expression for phase modulation is

$$E \sin (2\pi f_c t + \phi M \sin 2\pi f_m t) \dots (4)$$

and the phase angle swept out is equal to ϕM where ϕ is a constant and M is proportional to the amplitude of f_m , but independent of its frequency. Phase modulation has an infinite number of sidebands spaced $\pm f_m$, $\pm 2f_m$, etc., from the carrier, but since the phase angle change is constant (unlike frequency modulation) the wider spaced sidebands for low as well as high modulating frequencies can usually be neglected. The resultants of all odd-numbered sidebands are 90° out of line with the carrier, and those of the even-numbered

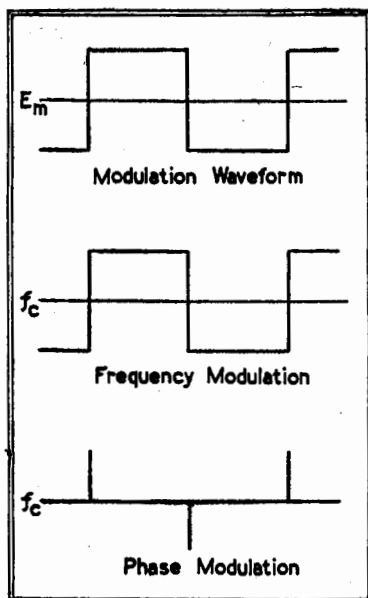


Fig. 6. Illustration of the essential difference between frequency and phase modulation.

ones are in line with the carrier vector. The amplitude of each sideband vector is dependent only on the amplitude of the modulating frequency.

The clearest distinction between frequency and phase modulation has been indicated by Professor Howe²⁹. He considers a square-shaped modulating wave as in Fig. 6 so that for frequency modulation the carrier frequency varies above and below its unmodulated value in accordance with the amplitude of the modulation. Phase modulation, however, shows that apart from the sudden instantaneous changes of phase when the carrier frequency becomes $+\infty$ or $-\infty$ the latter is constant at its unmodulated value.

CHAPTER II.

THE ADVANTAGES AND DISADVANTAGES OF FREQUENCY AND PHASE MODULATED TRANSMISSION.

WE can now consider the particular advantages to be gained from frequency and phase modulation, and its limitations. Since frequency modulated transmission is more likely to be widely adopted we will deal with it first and in more detail.

Four important advantages¹³ can be realised by frequency modulation in comparison with amplitude modulation, viz., greater signal-to-noise ratio; lower transmitter power for a given audio frequency output from the receiver, less amplitude compression of the audio modulating voltage, and larger service area with little interference between stations having adjacent carrier frequencies. These advantages can, however, be realised only under certain conditions of operation, chief of which is that reception must be confined to the direct ray from the transmitter. Indirect ray communication, as in short wave transmission over long distances, is subject to selective fading of carrier and sidebands due to several rays arriving at the receiver by different routes; the time delay on the longer path rays may result in certain frequency components arriving partly or completely out of phase with the same components in the shorter path ray, thus causing a reduction in amplitude of these components. This selective fading causes serious distortion³ of the audio frequency signal at the receiver and it is worst when a large number of sidebands is being transmitted. One of the characteristics of frequency modulation is the large number of sidebands produced by low modulating audio frequencies and selective fading makes the output almost unintelligible. This effect and the need for a large pass band to accommodate the frequency deviation render frequency modulation impracticable except on ultra short waves^{13, 14}. Phase modulation has fewer low-frequency sidebands so that selective fading is much less serious and it may be employed for short wave transmission²⁰. Amplitude modulation is least affected by multipath selective fading because there are only two sidebands per modulating frequency.

To understand the reason for the greater signal-to-noise ratio obtained from a frequency modulated system it is necessary to state the characteristics of noise. Disturbances in or external to the receiver can produce noise in its output. Noise from sources outside the receiver is mainly of the impulse type and is due to atmospheric disturbances or interference from electrical machinery (the ignition system of a car, switching surges transmitted by the mains supply wiring, etc.); it often has high peak voltages and may

be periodic, continuous or spasmodic. In a well-designed receiver (with no faulty contacts) internal noise is due to the random motion of electrons in the conductors and in the valves; the important sources being the first tuned circuit and the R.F. valve. Thermal agitation (conductor) and shot (valve) noise usually cause a hissing sound and the frequency components cover a very wide range and are continually varying in amplitude and phase. In a receiver for amplitude modulation these noise voltages (if no carrier is being received) beat amongst themselves, the beats being made audible by detection, and the wider the band the worse is the noise. For example, suppose the receiver has a band width of 900 to 1,100 kc/s, a beat of 5 kc/s is produced by two noise voltages at 900 and 905 kc/s as well as by two at 1,095 and 1,100 kc/s and this can be repeated for all the noise components. If a carrier is applied and is large enough to ensure linear detection, the noise voltages act as sidebands to the carrier and audible beats are now only produced between carrier and noise, *i.e.*, beats between the noise components themselves are suppressed. Hence only those noise components within audio range of the carrier contribute to the noise output, and the noise output should fall; in practice we more often find that the application of a carrier increases noise and this may be due to noise on the carrier itself (*i.e.*, from the transmitter) and also to the fact that the noise voltages alone are not large enough to cause linear detection. However, the fact is still true that in the presence of a carrier only those noise components within audio range of the carrier contribute to the output.

A device (a limiter) is always incorporated in a frequency modulation receiver to suppress any amplitude changes of carrier so that noise cannot have the same effect as in an amplitude modulated receiver. For the sake of clarity, let us consider the action of a single noise frequency component f_n kc/s spaced an audio frequency $f_m = f_n - f_c$ kc/s from the carrier. By taking the carrier vector as

stationary the noise is a vector rotating round the carrier at f_m kc/s as illustrated in Fig. 7. We see that there is amplitude and phase change of the carrier vector; the former, which causes the noise output in the amplitude modulation receiver, is suppressed by the limiter, and the latter, which produces phase

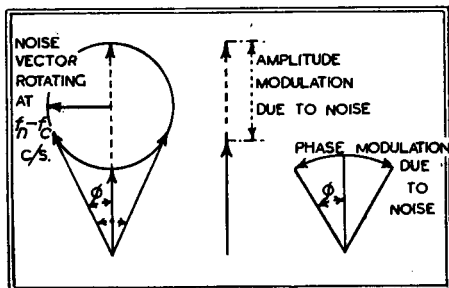


Fig. 7.

modulation and hence frequency change of the carrier, gives noise at the output of the frequency modulation receiver. An important feature of phase modulation is that the carrier frequency deviation is

directly proportional to the frequency of a constant amplitude modulating signal so that noise sidebands near to the carrier give much less frequency deviation and consequently much less audio output from a frequency modulation receiver than those distant from the carrier. This "triangular" distribution of effective noise makes the signal-to-noise power ratio with a maximum frequency deviation equal to the audio range ± 15 kc/s., 2.9 times higher than for an amplitude modulation receiver working under corresponding conditions.¹³ In the case of impulse noise from motor car ignition systems, the signal-to-noise ratio is four times that of amplitude modulation. It is not necessary to confine the frequency deviation of carrier to the audio range and by increasing this the signal output can be increased; hence the signal-to-noise ratio may be further raised by the ratio frequency deviation/maximum audio modulating frequency, *e.g.*, if the carrier deviation is ± 75 kc/s and the maximum audio frequency 15 kc/s, the signal-to-noise ratio is increased 25 times. Taking the conservative figure of 2.9 to 1 improvement due to "triangular" noise distribution we have a total improvement in signal-noise ratio of 72.5:1 (18.6 db). The increase in receiver band width to accommodate the greater frequency deviation introduces extra noise sidebands, but if the carrier is large in comparison with the noise (at least twice the peak value of noise) there is no increase in noise output because the phase modulation of the carrier by the additional sidebands is outside the audible range. When the peak carrier-to-noise ratio is less than 1, inter-action occurs between noise components, and noise is increased and signal-to-noise ratio decreased by increasing the frequency deviation. This causes a well-defined threshold area³⁰ to appear round a frequency modulated transmitter; outside this area better reception is obtained with a lower frequency deviation and narrower receiver pass band⁴³. Inside this area the reverse is true.

Signal-to-noise ratio can be still further improved by the use of "pre-emphasis,"⁴⁰ increased amplitude of the higher modulation frequencies, at the transmitter followed by "de-emphasis," restoration of aural balance by reduced amplification of the high modulation frequencies, at the receiver. Pre-emphasis and de-emphasis can also be applied to amplitude modulated transmission, but the improvement in signal-to-noise ratio is not so great as in the case of frequency modulation which, because of phase modulation of the carrier by the noise, produces greatest noise in the higher audio ranges. An improvement in signal-to-noise power ratio of about 5.5/1 (7.4 db) is realised by pre-emphasis giving a total increase of 400 to 1 (26 db) for frequency in comparison with amplitude modulation.

The second advantage of frequency modulation is that less power is taken from the mains supply for a given audio power at the receiver output. In the power amplifier stage of an amplitude

modulated transmitter the D.C. current must be sufficient to allow 100 per cent. modulation without serious distortion, *i.e.*, it must be able to accommodate a carrier of twice the unmodulated amplitude. This means that the D.C. current must be twice the value required if the carrier were maintained at its unmodulated amplitude. Since a frequency modulated carrier has constant amplitude it follows that the power required from the mains is half that of its amplitude modulated counterpart. Alternatively for a given mains power frequency modulation can give an audio signal power at the receiver of twice that for a corresponding amplitude modulated system. This means a further increase in signal-to-noise ratio of 2 to 1 giving a total of 800 to 1 (29 db). Successive stages of improvement in signal-to-noise power ratio are illustrated in Fig. 8.

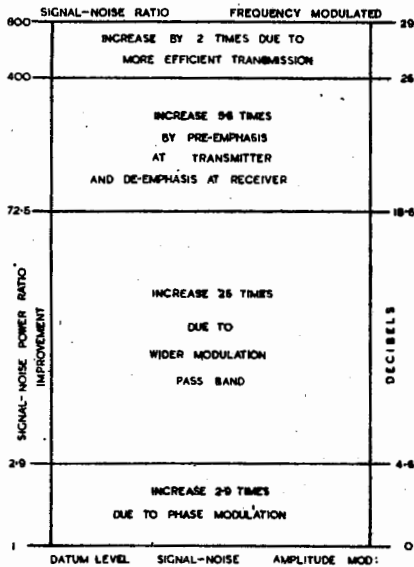


Fig. 8.

Reduced compression of the audio signal in a frequency modulated transmitter really arises out of the increased signal-to-noise ratio. For an amplitude modulated system the maximum modulation percentage for reasonable distortion (less than 5 per cent.) is

90 per cent. and a suitable minimum value is 5 per cent. if low level sounds are not to be marred by noise, so that the maximum possible change in audio output power is limited to 320 to 1 ; 25 db (note that percentage modulation represents voltage, which must be squared to give power). Clearly the maximum change of 10,000,000 to 1 (70 db) between fortissimo and pianissimo orchestral passages would sound unnatural in a normal room and some compression is essential. A power ratio higher than 320 to 1 is however desirable, and it can be raised to 32,000 to 1 (45 db) by virtue of the higher signal-to-noise ratio (shown above at least 100 times better) in frequency modulation.

Apart from noise a very important problem in wireless communication is the separation of desired from undesired programmes. In an amplitude modulated system this limits the closeness of spacing between the carrier frequencies. If the separation between the two carriers is equal to an audio frequency, an audible note is produced in the receiver output, causing serious interference with the desired programme unless the desired signal at the receiver aerial is at least ten times that of the undesired. This limits the service area of either transmitter and between the two there is a large area in which reception of one programme is marred by the other. Increased separation of the carrier frequencies can remove the carrier separation frequency outside the audio range, but the desired signal service area is still limited by sideband overlap⁴⁵ from the undesired. The sidebands of the latter react with the desired carrier causing the characteristic frequency-inverted "monkey chatter." Powerful transmitters need to be separated by at least 50 kc/s if the interference area between them is not to be large.

A different state of affairs exists with two frequency modulated systems, because the receiver suppresses amplitude change. Interference, as in the case of noise, occurs due to phase modulation of the desired by the undesired carrier. This phase modulation results in an audio output of frequency equal to the carrier separation and of amplitude directly proportional to the separation (phase modulation is equivalent to frequency modulation with modulating amplitude directly proportional to the modulating frequency). Thus for small carrier separations the interference is small; it is actually most noticeable for about 5 kc/s separation⁴⁰, for though greater separations give greater equivalent modulation the resultant output becomes less audible. We therefore find that two frequency modulated systems can be operated with small carrier spacing with quite a small interference area (where the desired to undesired carrier ratio is less than 2 to 1) between them. Interference is worst when both carriers are unmodulated. Although it is possible to operate with small carrier spacing it is usually considered better to adopt a spacing slightly beyond the audio range. This does not in any way modify the statements on the smaller interference area obtained with frequency as compared with amplitude modulation.

Phase modulation possesses much the same advantages as frequency modulation. Signal-to-noise ratio is greater than for amplitude modulation by virtue of the increased frequency deviation coverage though it is less than for frequency modulation since the triangular noise spectrum effect is absent because noise itself phase modulates the carrier. Lower transmitter mains power is required by reason of constant amplitude, and less audio compression is needed. As stated above it may be used for short wave transmission when multipath selective fading is experienced, and it then has the advantage of lower transmitter power in comparison with amplitude modulation.

CHAPTER III.

METHODS OF MODULATING THE FREQUENCY OR PHASE OF A CARRIER.

THE particular features and advantages of frequency and phase modulation having been discussed, we can now deal with methods of producing these types of modulation. The close relationship between frequency and phase modulation has already been shown and only a very slight modification is necessary to convert frequency into phase modulation and *vice versa*⁷. The modification consists of inserting a frequency discriminating network in the modulator stage. A resistance R and inductance L connected between the audio frequency source and the frequency modulator (Fig. 9a) results in a phase modulated output, because the RL circuit makes the A.F. voltage amplitude directly proportional to its frequency. This means that a constant amplitude variable frequency voltage at AB gives an amplitude proportional to its frequency (f_m) across CD and the frequency deviation of the carrier is directly proportional to f_m , the condition for phase modulation. Similarly the RC circuit shown in Fig. 9b gives an amplitude across CD inversely proportional to f_m for a constant amplitude at AB, and this in conjunction with the phase modulator produces a phase change of carrier inversely proportional to f_m , which is the characteristic of frequency modulation.

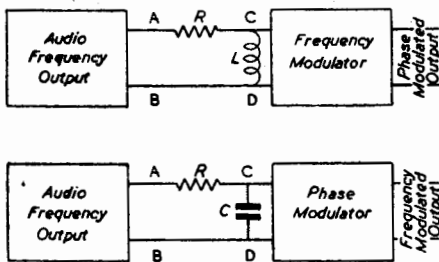


Fig. 9.

- (a) Phase modulated output from a frequency modulator.
(b) Frequency modulated output from a phase modulator.

the amplitude of the varying carrier frequency vector must be constant and independent of modulation. Frequency modulation of an oscillator can be accomplished by direct or indirect means. Direct modulation involves varying the frequency of the oscillator itself by varying the equivalent inductance or capacitance of its

There are three main problems to be faced in F.M. transmitting apparatus design: (1) the frequency of the central carrier component must remain at a constant value and must not change when modulation is applied, (2) the frequency deviation of the carrier must be directly proportional to the amplitude of the modulating frequency and independent of its frequency, (3)

tuning elements, and the most important problem in this case is the first, that of maintaining constant central carrier component frequency. With reasonable care in the design of the variable reactance modulator neither the second nor the third problems are serious. Indirect frequency modulation is achieved by altering the relationship of the carrier and sidebands of an amplitude modulated carrier (as described in Chapter I), or by varying the tuning elements of an amplifier stage following a crystal controlled master oscillator, *i.e.*, by phase modulation in association with the RC correcting network described above. The first problem now presents no difficulties, but the second and third assume importance.

The most usual method of obtaining direct frequency modulation is by means of a variable reactance valve, the anode and cathode of which are connected across the oscillator tuned circuit, or a part of it, and to the grid of which is applied a voltage derived from the oscillator tuned circuit but which is at 90° to the anode-cathode voltage. The variable reactance valve anode current is in phase with the grid voltage and therefore leads upon or lags behind the anode-cathode voltage by 90° to give the valve the characteristics of a capacitance or an inductance. An $\frac{1}{8}\lambda$ line¹⁰, terminated in a variable resistance controlled by the modulating voltage, is also a possibility, but for satisfactory operation line losses must be low. A third method⁴⁷ employs a coil coupled to the oscillator tuned circuit and shunted by a valve acting as a variable resistance controlled by the modulating voltage. Control of saturation of iron cored coils forming part of the oscillator tuned circuit is a fourth method. It is also possible to frequency modulate a multivibrator¹¹ oscillator by using the modulating voltage as a bias on one of the valves.

With all methods of direct frequency modulation some form of carrier component frequency control must be adopted. An automatic frequency correcting circuit similar to that used in receivers to maintain correct oscillator frequency is very suitable for this purpose.

Indirect F.M. (corrected P.M.) can be realised by using any of the variable reactance devices described for direct F.M., but the variable reactance is placed across a tuned circuit in the anode of an amplifier valve following the crystal controlled master oscillator. Transposed sidebands of an A.M. carrier is the other method, and both suffer from the disadvantage of requiring a large degree of multiplication after the phase modulator in order to obtain the desired degree of frequency deviation at the output. The maximum angle of vector travel must not normally exceed $\pm 25^\circ$ (it can be raised by special compensating circuits to $\pm 50^\circ$), and the final maximum angle may have to be of the order of $140,000^\circ$ requiring a multiplication of over 5,000 times. Large multiplication creates difficulties due to noise and hum, so that a high degree of smoothing is required in the power supply.

The most popular method of attaining direct F.M. is with the variable reactance valve and automatic frequency correction of the carrier component. The L or C change of the oscillator tuning elements must be such as to produce instantaneous changes of carrier frequency directly proportional to the instantaneous modulating voltage amplitude. The required relationship between the frequency deviation of carrier and the L or C change is dependent on the magnitude of the ratio of the former to the carrier frequency. Probable values of frequency deviation and carrier are ± 75 kc/s

and 40 M/cs so that $\frac{f_{\text{dev}}}{f_{\text{carrier}}} = \pm .001875$; this low value makes

simplifications in the analysis possible because it means that the ratio of change of inductance ΔL to the total inductance L of the tuned circuit is also small. For example, let

$$f_c = \frac{1}{2\pi\sqrt{LC}} = \text{initial carrier frequency} \quad \dots \quad (5)$$

If the frequency deviation of carrier is Δf , we have :

$$f_c + \Delta f = \frac{1}{2\pi\sqrt{(L - \Delta L)C}} \quad \dots \quad (6a)$$

and

$$f_c - \Delta f = \frac{1}{2\pi\sqrt{(L + \Delta L)C}} \quad \dots \quad (6b)$$

Combining (5) and (6a)—the result is the same if we use (5) and (6b) :

$$\frac{f_c + \Delta f}{f_c} = 1 + \frac{\Delta f}{f_c} = \sqrt{1 - \frac{\Delta L}{L}} = \left[1 - \frac{\Delta L}{L}\right]^{-\frac{1}{2}} \quad \dots \quad (7)$$

Expanding by the Binomial theorem,

$$1 + \frac{\Delta f}{f_c} = 1 + \frac{\Delta L}{2L} - \frac{3}{8} \left(\frac{\Delta L}{L}\right)^2 + \text{etc.} \quad \dots \quad (8)$$

but since $\Delta f/f_c$ is very small it follows that $\Delta L/L$ is also small; hence $(\Delta L/L)^2$ is negligible, and (8) becomes

$$\frac{\Delta f}{f_c} = \frac{\Delta L}{2L} \quad \dots \quad (9a)$$

or

$$\Delta f \propto \Delta L \quad \dots \quad (9b)$$

Similarly for a small change of capacitance ΔC

$$\frac{\Delta f}{f_c} = \frac{\Delta C}{2C} \quad \dots \quad (9c)$$

or

$$\Delta f \propto \Delta C \quad \dots \quad (9d)$$

Undistorted frequency modulation can therefore be realised by making the change in L or C directly proportional to the amplitude of the modulating frequency. It is not always convenient to make a direct change of L and it may be necessary to obtain it by varying an inductance, or its equivalent, placed in parallel with L . The following equations then result:—

$$f_c = \frac{1}{2\pi\sqrt{\frac{LL_1}{L+L_1}C}} \dots \dots \dots (10)$$

$$f_c + \Delta f = \frac{1}{2\pi\sqrt{\frac{LL_2}{L+L_2}C}} \dots \dots \dots (11)$$

where L_1 is greater than L_2 .

The lower deviation of carrier $f_c - \Delta f$ yields a similar equation, but need not be considered.

$$1 + \frac{\Delta f}{f_c} = \sqrt{\frac{1 + \frac{L}{L_2}}{1 + \frac{L}{L_1}}} = \left[1 + \frac{L}{L_2}\right]^{\frac{1}{2}} \times \left[1 + \frac{L}{L_1}\right]^{-\frac{1}{2}} = 1 + \frac{L}{2L_2} - \frac{L}{2L_1}$$

if L_1 and $L_2 \gg L$

thus $\frac{\Delta f}{f_c} = \frac{L}{2} \left[\frac{1}{L_2} - \frac{1}{L_1} \right]$

or $\Delta f \propto \left[\frac{1}{L_2} - \frac{1}{L_1} \right] \dots \dots \dots (12)$

For Δf to be proportional to the modulating frequency amplitude, the latter must be proportional to $(1/L_2 - 1/L_1)$ and we shall see later that this result can be achieved.

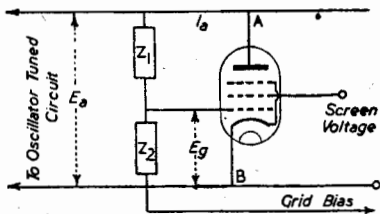


Fig. 10. Variable reactance valve circuit.

An electrical method for varying the inductance or capacitance of the carrier oscillator tuned circuit is obviously preferable to a mechanical one. The variable reactance valve (as used in automatic frequency correcting circuits) is particularly suitable for this purpose since it acts as a reactance to any voltage source connected

between its anode and cathode, the value of the reactance depending on the grid bias of the valve. To realise this property it is necessary to supply the grid with a proportion of the anode voltage which has been given a phase shift of 90° . The basic circuit is that of Fig. 10; impedances Z_1 and Z_2 act as a potentiometer to step down and phase shift the grid voltage. Thus if Z_1 is a resistance R , Z_2 a capacitance C , and the valve is a pentode or tetrode with a high internal resistance, the admittance across its anode and cathode (points AB) is given by

$$Y_{AB} = \frac{I_a}{E_a} = \frac{g_m E_g}{E_a}$$

where g_m = mutual conductance of the valve

$$\begin{aligned} Y_{AB} &= \frac{g_m E_a Z_2}{(Z_1 + Z_2) E_a} = \frac{g_m Z_2}{Z_1 + Z_2} \\ &= \frac{g_m}{1 + j R \omega C} \\ &= \frac{g_m}{1 + (R \omega C)^2} - j \frac{g_m R \omega C}{1 + (R \omega C)^2} \dots \dots \dots \dots \dots \dots (13) \end{aligned}$$

which is equivalent to a resistance $R_{AB} = \frac{1 + (R \omega C)^2}{g_m}$ in parallel with an inductance $L_{AB} = \frac{R \omega^2 C}{g_m}$

Three other combinations of R and L or C are possible and the resultant parallel resistance and reactance components of Y_{AB} are tabulated below.

Z_1	R	C	R	L
Z_2	C	R	L	R
R_{AB}	$\frac{1 + (R \omega C)^2}{g_m}$	$\frac{1 + (R \omega C)^2}{g_m (R \omega C)^2}$	$\frac{R^2 + \omega^2 L^2}{g_m \omega^2 L^2}$	$\frac{R^2 + \omega^2 L^2}{g_m R^2}$
X_{AB}	$L_{AB} = \frac{1 + (R \omega C)^2}{g_m R \omega^2 C}$	$C_{AB} = \frac{g_m R C}{1 + (R \omega C)^2}$	$C_{AB} = \frac{g_m R L}{R^2 + \omega^2 L^2}$	$L_{AB} = \frac{R^2 + \omega^2 L^2}{g_m R \omega^2 L}$

From the first and fourth columns in the table we see that the equivalent inductance is inversely proportional to g_m so that expression (12) above becomes

$$\begin{aligned} \Delta f &\propto g_{m2} - g_{m1} \\ \text{and if the } g_m E_g \text{ curve of the variable reactance valve is a straight line} \\ \Delta f &\propto E_{g2} - E_{g1} \end{aligned}$$

Hence by inserting a modulating voltage in series with the D.C. grid bias the resultant variation of inductance produces a deviation of carrier frequency directly proportional to the modulating voltage amplitude. Similarly if g_m is proportional to E_g , the change in capacitance in columns 2 and 3 of the table means that Δf is proportional to the modulating voltage amplitude (see expression 9d).

It is not usual to employ the reactance valve to modulate an ultra high frequency oscillator; a lower carrier frequency is used and frequency multiplier stages inserted between it and the aerial to step up the frequency to the required 40 Mc/s. This has the advantage of simplifying reactance valve circuit design and of reducing interaction between the oscillator and succeeding amplifier stages. Furthermore greater oscillator stability is possible at lower frequencies. The resistance component R_{AB} is undesirable because it causes amplitude modulation, but by a suitable choice of R and L or C and a reduction of the resonant impedance (L/CR) of the carrier tuned circuit this effect can be reduced to small proportions. A limiter may be inserted before the multiplier stages to reduce still further any amplitude modulation. For example, if the oscillator frequency is 1,000 kc/s, Z_1 a capacitance of $5 \mu\mu\text{F}$ and Z_2 a resistance of $5,000 \Omega$, mean $g_m = 1 \text{ mA/volt}$, and oscillator tuning capacitance $200 \mu\mu\text{F}$.

$$C_{AB} = \frac{g_m CR}{1 + (R\omega C)^2} = 24.4 \mu\mu\text{F}$$

total tuning capacitance = $224.4 \mu\mu\text{F}$. The required change of capacitance

$$\Delta C = \pm 224.4 \times .00375 = \pm 0.84 \mu\mu\text{F}$$

(note from the first part of the chapter and expression (9c) that

$$\Delta f/f_o = 0.001875 \text{ and } \Delta C/C = 2 \Delta f/f_o = 0.00375).$$

This means a mutual conductance change of $\pm 0.84/24.4 = \pm 0.0344 \text{ mA/volt}$. The value of R_{AB} for $g_m = 1 \text{ mA/volt}$ is $41,500 \Omega$ and it varies from $43,000 \Omega$ to $40,100 \Omega$. If the oscillator coil has a Q of 50 giving a resonant impedance of $35,500 \Omega$, the variation in amplitude due to the variation of R_{AB} corresponds to a modulation percentage of approximately 1.5 per cent. The variable reactance valve can be placed across a part only of the oscillator coil if desired, and this calls for a greater change of g_m to give a specified frequency modulation. Amplitude modulation by R_{AB} is slightly increased. The parallel resistance component R_{AB} can be increased to infinity if the phase-splitting device can be made to give an exact 90° phase difference between the anode and grid voltages of the variable reactance valve, and methods have been developed (mainly by injecting an extra voltage in series with the grid circuit) to achieve this. Push-pull reactance valves can be used to reduce amplitude modulation to negligible proportions. For example, two reactance valves may be connected across the Hartley oscillator of Fig. 11, one valve having an RC phase splitting network, and the other, across the opposite half of the tuned circuit, having a CR network. Appli-

cation of the modulating voltage in push-pull *via* a centre-tapped transformer produces cancellatory variations in the resistance components, but the reactance variations are additive. The first

valve has a resistance component of $R'_{AB} = \frac{1 + (R\omega C)^2}{g_{mo} + \Delta g_m}$ and the

second of $R''_{AB} = \frac{1 + (R\omega C)^2}{(g_{mo} - \Delta g_m)(R\omega C)^2}$ where

- g_{mo} = unmodulated g_m value
- $+\Delta g_m$ = change in g_m on one valve
- $-\Delta g_m$ = change in g_m on the other valve at the same time.

The reactance components are

$$L_{AB} = \frac{1 + (R\omega C)^2}{(g_{mo} + \Delta g_m) R\omega^2 C} \text{ and } C_{AB} = \frac{(g_{mo} - \Delta g_m) CR}{1 + (R\omega C)^2}$$

and it will be noted that L_{AB} is decreased by increase of g_m and, as it is in parallel with the oscillator tuning inductance, the oscillator frequency is increased. At the same time C_{AB} is decreased, also raising the frequency.

When a reactance valve is used as a modulator it is essential to prevent change of g_m by means other than the modulating voltage amplitude; variation of H.T., hum voltages due to the L.T., ageing of the valve, all can contribute to change of g_m . The first two effects are reduced to small proportions by using two reactance valves in push-pull, but the oscillator frequency itself may vary, due to H.T. or L.T. supply voltage variations or to changes of temperature, and the carrier frequency stability can only be successfully maintained by using an A.F.C.^{37, 41} circuit to control the D.C. bias on the reactance valve. A basic circuit is shown in Fig. 11. Valve V_1 is the carrier oscillator (Hartley circuit) and V_2 , a hexode valve, is the variable reactance device. The audio frequency voltage is applied at the first grid (the signal grid when V_2 is used as a frequency changer) to control the mutual conductance of the third grid, to which the RC phase splitting network is connected. The third grid (normally the oscillator grid) is used because its $I_a E_g$ curve is more linear for large applied voltages than that of the first grid, and to get the required reactance change the valve must be connected across the major portion of the oscillator coil. Condenser C_1 is the A.C. coupling between anode and grid and has a large value (0.1 μF) whilst R_1 has a resistance (about 0.5 M Ω) large compared with the reactance of condenser C . In the first chapter we showed that a frequency-modulated wave consisted of a central carrier frequency (equal to the unmodulated value) and sidebands. This "central" component is applied to another hexode V_3 (acting as a frequency changer) together with the output from a very stable crystal oscillator (multiplied up if necessary). The difference frequency is passed to a discriminator, in this case two circuits tuned about

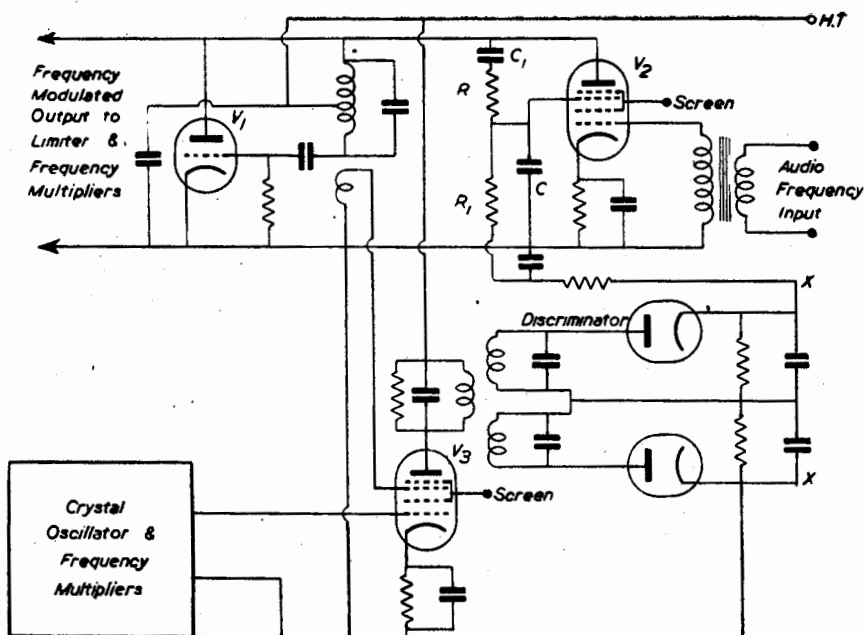


Fig. 11. Frequency modulation with stabilised variable reactance valve.

2 kc/s above and below the difference frequency and two detectors giving opposing D.C. voltages which provide bias for V_2 through the grid leak R_1 . When the original carrier frequency is correct, the difference frequency is exactly centred between the two discriminator circuits and there is no D.C. voltage across XX. If the carrier frequency component wanders, a voltage, positive or negative, is produced and automatically adjusts the D.C. bias on the reactance valve to correct for this. The carrier frequency component has then

practically the same stability as that of the crystal oscillator plus discriminator, and by placing both these in a simple temperature controlled oven an adequate degree of frequency stability is obtained. It is generally sufficient to maintain an output carrier of 40 Mc/s within 1,000 c.p.s. of its correct value for all normal operating conditions.

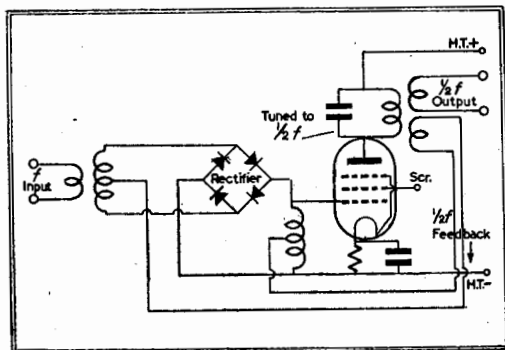


Fig. 12. A circuit for frequency division.

The push-pull variable reactance valve circuit is capable of producing comparatively large frequency deviations at the initial carrier frequency (± 20 kc/s at a carrier frequency of 5 Mc/s) and this means that the sideband amplitudes may be comparable with or greater than the carrier component. It is therefore advisable to increase the latter relative to the sidebands before application to the discriminator, and this is achieved by frequency division¹⁷. A frequency dividing circuit is in essence a frequency changer having an input frequency of f and an output circuit tuned to $\frac{1}{2}f$. Part of the output voltage from this circuit is fed back to the input to react with the original input to provide a difference frequency of $\frac{1}{2}f$. Initially shock excitation of the output $\frac{1}{2}f$ circuit due to switching on the f input, noise or any transient disturbance, produces the $\frac{1}{2}f$ frequency, and so long as f persists, $\frac{1}{2}f$ is generated in the output. An example of the frequency divider circuit is shown in Fig. 12.

Automatic frequency correction of the oscillator can be achieved by motor control⁴¹ of a trimmer capacitor in parallel with the main tuning capacitor. The motor is operated by the rotating field set up from the beat frequency between the initial carrier component frequency, or a sub-multiple of it, and a crystal oscillator. The rotating field drives the motor backwards or forwards until the beat frequency is zero.

Indirect F.M. (corrected P.M.) can be realised by separating the two sidebands of an amplitude modulated carrier from the carrier and passing them through a phase adjusting network which places their resultant at 90° to the carrier vector, as shown in Fig. 13. This method does not completely suppress amplitude modulation (a limiter can be incorporated to remove amplitude modulation) and the phase change is not exactly proportional to the modulating voltage amplitude, but if its maximum value is limited to about $\pm 25^\circ$, distortion of the modulation does not exceed 5%¹⁸. Now if 30 c.p.s. modulation is to produce a carrier frequency deviation of ± 75 kc/s at 40 Mc/s,

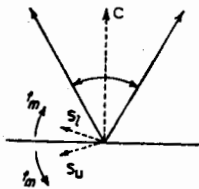


Fig. 13.

a phase change of $143,200^\circ \left[\frac{75,000 \times 360}{30 \times 2\pi} \right]$ is required, so that the

phase change of 25° must be multiplied 5,720 times, *i.e.*, the original carrier frequency must be $40/5,720 = 7$ kc/s. Generally the minimum carrier frequency is about 200 kc/s., and it is multiplied first up to about 12 Mc/s. The latter is then applied to a frequency changer with a crystal controlled local oscillator, or the initial unmodulated 200 kc/s carrier voltage suitably multiplied, to give a difference frequency of about 900 kc/s, which has the full frequency modulation of the 12 Mc/s input and can be multiplied up again. A circuit¹³ showing this type of phase modulator is given in Fig. 14. The

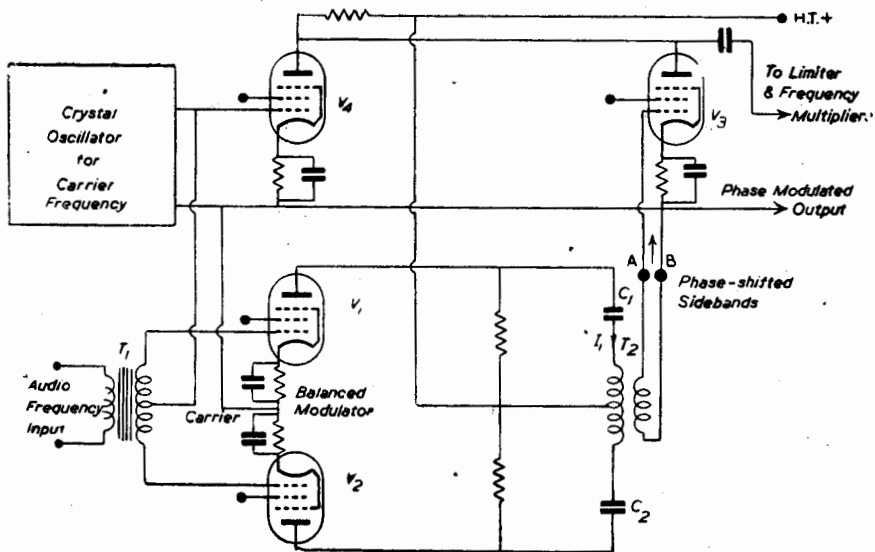


Fig. 14. Circuit diagram showing production of phase modulation.

carrier frequency, obtained from a crystal-controlled master oscillator is fed to two channels, one which amplifies and one which modulates, suppresses the carrier and phase changes by 90° the sideband resultant with respect to the original carrier. The modulator is of the balanced push-pull type; the carrier frequency, being connected in the common grid lead, produces cancelling voltages in the anode and is suppressed. The sideband frequencies obtained by interaction between the carrier voltage and the audio voltages applied through the centre-tapped transformer T_1 , add at the output circuit, the primary of the centre-tapped transformer T_2 . The inductive reactance of the latter is cancelled by condensers C_1 and C_2 so that the output circuit acts as a resistance and the sideband current I_1 in the primary is in phase with the carrier grid input. The required 90° (or 270°) phase shift of the sidebands is, however, realised at the secondary because the voltage across AB is 90° (or 270° , depending on the direction of winding of the secondary with respect to the primary) out of phase with respect to the current I_1 . The sideband voltage is amplified in V_3 and mixed with the original carrier frequency in the anode of V_4 , after which the resultant phase modulated wave is amplified and passed through frequency multipliers, bringing the carrier up to its required ultra high frequency value.

As shown in Chapter I, the limit of $\pm 25^\circ$ placed upon the maximum possible angle of initial phase modulation is due to the carrier vector having as a locus the tangent AB instead of the arc $X'CX''$ (Fig. 4b). If the carrier component vector OC in Fig. 4b could

be reduced in value as the sidebands S_L and S_U approach their "inphase" condition to the right or left, then the equivalent modulation distortion would be reduced or alternatively the angle could be increased for the same distortion. It has been found possible to increase the maximum initial phase angle of modulation to about 50° by using the modulating voltage to reduce the carrier vector at the extremes of the vector swing⁴⁸. This is performed by taking the output across a resistance load in a full wave rectifier, supplied by the modulating voltage, to bias the carrier amplifier valve V_4 in Fig. 14. A resistance load (not shunted by a reservoir capacitance) must be employed because the bias must follow the instantaneous changes of modulating voltage, and full wave rectification is necessary in order that the carrier vector may be reduced by both positive and negative halves of the modulating voltage. A delay bias is introduced in series with the rectifier so that there is no reduction of carrier amplification when the carrier vector is in the centre (point C) of its swing.

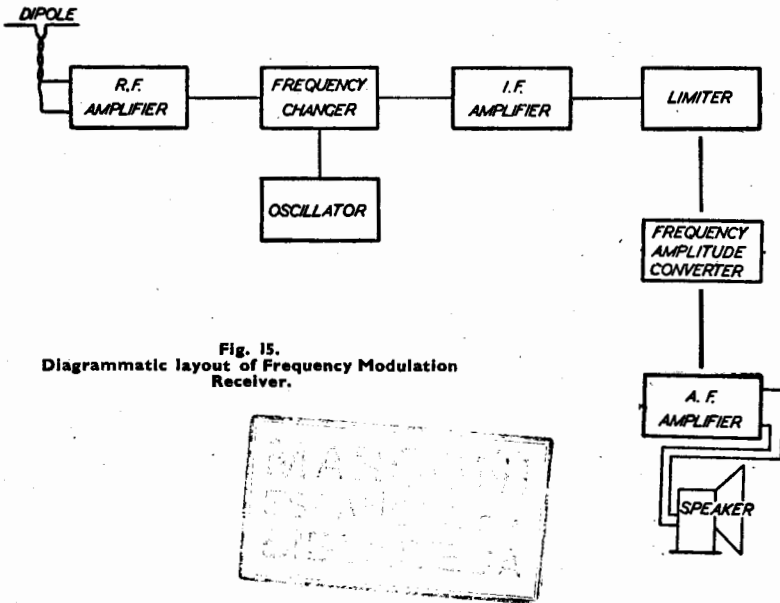
A very important measurement upon a F.M. transmitter is that of frequency deviation and this can be made by applying a tone modulating source and listening on a receiver, designed for A.M. reception, and tuned to the carrier frequency. The latter is heterodyned and the resultant beat note passed through a filter. As the modulating voltage (and frequency deviation of the carrier) is increased there is a succession of zero amplitudes of the beat frequency as shown by Fig. 5³⁸. Thus if the modulating frequency is 1,000 c.p.s., zero amplitudes occur for frequency deviations corresponding to 2405, 5520, 8654 c.p.s., etc. For monitoring purposes a peak voltmeter may be used across the output of a F.M. receiver and calibrated in terms of frequency deviation as measured by the first method. Gas-filled relay valves may be connected across the receiver output to trigger an alarm when the positive or negative peak of the A.F. output exceeds an amplitude corresponding to the maximum deviation of 75 kc/s.

A cathode ray tube monitor⁹ can be made by connecting the modulating voltage to the horizontal deflecting plates, and the transmitted carrier to one of the vertical plates, so producing a band across the screen. If two R.F. voltages corresponding to the carrier instantaneous frequency at the limits of frequency deviation ($f_c \pm 75$ kc/s) are inserted in the other vertical plate, a peak occurs in the band when the carrier deviation brings the instantaneous carrier frequency to, or beyond, these limits.

CHAPTER IV.

THE FREQUENCY MODULATION RECEIVER⁵³.

IN the second chapter it was stated that frequency modulation could not be satisfactorily employed for short wave operation because selective fading, due to multi-path transmission, resulted in an almost unintelligible signal at the receiver ; its sphere



of usefulness is limited to the ultra-short-wave band where communication is mainly by the direct ray. In Europe no official decisions have been made with regard to allocation of wave-bands for frequency modulation, but it is probable that they will be similar to those allocated in America, *i.e.*, over the range 40-50 Mc/s. Radio frequency amplification is very limited at these ultra-high frequencies and the superheterodyne method of reception is essential to achieve sufficient overall amplification.

A schematic diagram of the probable form of receiver is shown in Fig. 15, and we see that it only differs from that of an amplitude modulation receiver in the inclusion of the limiter and frequency-amplitude converter stages. The dipole aerial is connected to a

radio frequency stage followed by a frequency changer with a local oscillator. After the frequency changer is a series of intermediate frequency stages, the output of which supplies the limiter. A converter changing the frequency into amplitude modulation follows the limiter, and the amplitude modulated wave after detection forms the input to a high fidelity audio frequency amplifier covering a range from 30 to 15,000 c.p.s. The radio frequency, frequency changer and local oscillator stages will be practically identical with those for amplitude modulation at the same carrier frequency, but owing to the comparatively wide pass band (± 100 kc/s) required to accept the carrier deviation, a higher intermediate frequency is required. The limiter stage is necessary to suppress amplitude changes (due to transmission variations and noise) of the carrier because the detector following the frequency-amplitude converter is sensitive to amplitude variations. There is no need to comment on the frequency-amplitude converter; it is obviously required because the character of the original audio-frequency voltage modulating the carrier is that of amplitude variation. The audio frequency stages will be identical in design to those used for high fidelity amplitude modulated transmission.

Starting from the aerial we will now turn to a more detailed examination of the various stages.

The Aerial.

This consists of a dipole so dimensioned as to act as a half-wave resonant aerial at the centre of the band of frequency modulated transmissions (its overall length is about 5 per cent., less than the wavelength of the resonant frequency, because owing to end effects its electrical length is always greater than its actual length). If a reflector is used it is usually spaced about one-quarter of the wavelength away from the aerial and it may be a half wavelength long or greater; a length greater than a half wavelength helps to give a more constant response⁴⁶ over the wave band. The centre of the dipole is taken to a centre-tapped coil at the receiver by a twin wire feeder. Motor car ignition interference, a serious problem on ultra short waves, is mainly vertically polarised so that best signal-to-noise ratio is usually obtained by placing the dipole aerial horizontal. Ultra high frequency aerial design is a specialised subject which cannot be treated in detail in this booklet, but the bibliography (27, 32, 35, 46, 51) contains a selected set of references to the subject.

The R.F. Amplifier Stage.

The advantage of including a radio frequency stage before the frequency changer is increased sensitivity, signal-to-noise ratio and selectivity (against image signal and spurious intermediate frequency responses due to interaction between undesired signals and harmonics of the oscillator frequency). The first two factors, which are inter-related, are the more important; owing to the use of a limiter stage, a high degree of overall amplification is required and as most of this

must be obtained in the intermediate frequency amplifier, instability is a real danger. Additional amplification at the signal frequency, however small (it will probably not greatly exceed three times in general purpose receiving valves or twelve for acorn ²⁴ valves) is desirable because it allows I.F. gain to be reduced for the same overall sensitivity.

Feedback of voltage developed in the inductance of the cathode-earth lead ³¹ through the grid cathode capacitance of the valve and, to a less extent, electron transit time, contribute to a low grid input resistance component, the formula for which is

$$R_g = \frac{1}{g_m \omega^2 C_{gk} L_k} \dots \dots \dots (14)$$

where g_m = mutual conductance of the valve.

C_{gk} = grid cathode capacitance.

L_k = inductance of the cathode-earth lead.

Taking $g_m = 3\text{mA/volt}$, $C_{gk} = 3.5 \mu\text{F}$, and $L_k = 0.2 \mu\text{H}$, $f = 45 \text{ Mc/s}$, the input resistance due to cathode inductance is $6,000 \Omega$; an average for the general purpose type of R.F. valve (including electron transit time damping) is $4,000 \Omega$. Acorn valves having smaller transit times and shorter cathode-earth leads usually have an input resistance of the order of 20,000 ohms.

The heavy damping from the valve prevents the realisation of a high degree of selectivity in the signal stages. This fact, together with the restricted range of ultra high frequency transmission, makes it possible to consider preset tuning of the R.F. stage to the centre of the desired range, discrimination against adjacent transmission being achieved in the intermediate frequency, and variable tuning by oscillator frequency adjustment. Under these conditions optimum coupling may be used between aerial and first-tuned circuit; the aerial coupling then gives maximum voltage transfer, but at the same time reflects a resistance component into the first tuned circuit equal to that already existing before the aerial is coupled to it. If we take $4,000 \Omega$ as an average valve grid input resistance the total parallel resistance of the first tuned circuit cannot exceed $2,000 \Omega$ when aerial coupling is optimum. A value of first circuit tuning capacitance of $20 \mu\text{F}$ (valve and stray capacitances make it impossible to consider much less) gives an inductance value of $0.626 \mu\text{H}$ and a magnification Q^* of $2,000/176.5 = 11.3$. The off-tune frequency at which the response of the circuit is 0.707 of its maximum value is given by

$$\Delta f = \pm \frac{f_r}{2Q} = \pm \frac{45}{22.6} \approx \pm 2 \text{ Mc/s} \dots \dots \dots (15)$$

where f_r = the resonant frequency.

* $Q = \omega L/R_s = R_p/\omega L$, where R_s and R_p are respectively the equivalent series or parallel resistance components of the tuned circuit.

Hence such a circuit could easily accommodate transmissions covering a range from 43 to 47 Mc/s when the circuit is tuned to 45 Mc/s, and it is clear that signal tuning would confer little advantage over this range, in which twenty frequency modulated transmissions having frequency deviations not exceeding ± 100 kc/s could be located. When signal circuit tuning is employed, selectivity can be improved by using acorn valves or by tapping the grid of the R.F. valve down the coil; the reflected parallel resistance across the coil is thus reduced and its Q increased. The increase in Q may more than offset the decrease in grid voltage due to tapping down and a net increase in sensitivity may be registered. It may be noted that for a pass band of 200 kc/s (normal maximum frequency deviation at 45 Mc/s = ± 100 kc/s) formula (15) calls for a Q of $f_c/2\Delta f = 45/0.2 = 90$, and signal tuning therefore requires a considerable reduction in damping if full advantage is to be derived from it. The input resistance of the valve may be increased by including a resistance²⁸ in the cathode-earth lead to reduce the phase angle between the cathode voltage and current. The insertion of a series resistance in the cathode lead to reduce grid circuit damping from the valve requires a small capacitance (about $5\mu\mu\text{F}$) from cathode to earth in order to be effective. The inclusion of a resistance reduces the overall gain of the stage by reason of negative feedback in the cathode circuit, but this is usually more than offset by the reduction in damping on the tuned circuit and the net result is a slight increase in overall amplification. Adjustment of tuning may be by variable air condensers, but variation of inductance is preferable since fixed condensers are less susceptible to ageing and temperature effects than variable condensers, which are themselves much less stable than variable inductances. The latter consist of a few turns of copper wire with a metal plunger capable of being screwed into the coil former. The plunger, which acts as a short circuited turn to reduce inductance, must be of high conductivity material (copper, brass, aluminium) if it is not to alter appreciably the Q of the coil. The usual precautions appropriate to ultra high frequency operation must be taken; leads must be as short as possible, all earth connexions taken to the same point on the chassis, adequate decoupling by small mica condensers of electrodes normally carrying only D.C. or A.C. supply voltages (screens and heaters). A probable form of variable tuned R.F. amplifier is shown in Fig. 16, which is drawn to emphasise the points enumerated above. The second tuned circuit may require a damping resistance R_6 (shown dotted) if the frequency changer is a heptode with the signal grid further from the cathode than the oscillator grid. The input resistance component of this valve is often negative²² at high frequencies. The resistance will not be required for a hexode frequency changer which has a low positive input resistance component comparable with that of the R.F. valve.

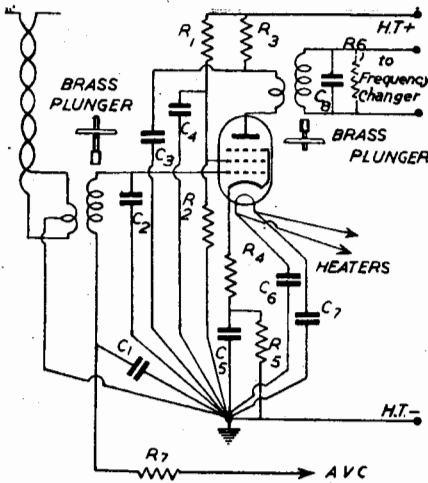


Fig. 16. Circuit of variable tuned R.F. amplifier using tuning plungers in the aerial and anode coils.

actually be included in a preset tuned amplifier operating over a range of frequencies and is the anti-damping resistance which increases the input resistance component of the valve. R_7 is an A.G.C. filter resistance of about $1M\Omega$.

The Frequency Changer.

The frequency changer follows normal practice, a triode-hexode, or a separate triode with hexode or heptode comprising the local oscillator and frequency changer; small mica decoupling condensers and a common earth point are necessary as for the R.F. amplifier. The I.F. transformer in the anode circuit is damped to secure the necessary pass band width. A typical frequency changer oscillator circuit is shown in Fig. 17. Condensers C_2, C_3, C_4, C_6 and C_7 ($0.01 \mu F$ mica) are for bypassing radio frequencies to earth. C_1 and C_{10} are fixed tuning condensers for signal and oscillator respectively, and C_5 and C_8 tune the primary and secondary of the I.F. transformer. Resistances R_1

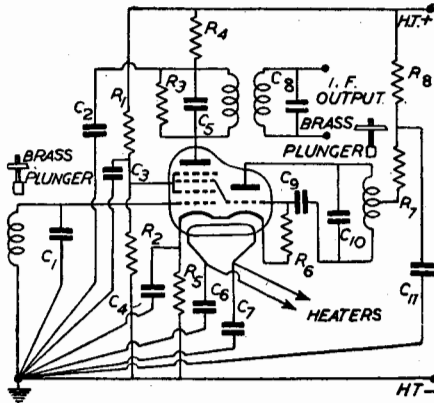


Fig. 17. Typical frequency changer oscillator circuit using a triode hexode.

Condensers C_1, C_3, C_4, C_5, C_6 and C_7 (mica, $0.01 \mu F$) are for bypassing radio frequencies to earth. The A.G.C. decoupling condenser C_1 need not be as large as for an amplitude modulated system, since feedback of any amplitude change (which should in any case be small) along the A.G.C. line is in such a direction as to help suppress it. C_2 and C_8 are fixed tuning condensers; R_1 and R_2 have values appropriate to the screen voltage required, generally $30,000$ and $20,000\Omega$ respectively. R_3 is a $1,000\Omega$ decoupling resistance and R_5 a self bias resistance of about 300Ω . R_4 (20 to 40Ω) would not

and R_2 form the screen potentiometer, R_3 is damping resistance to give the required band width at the intermediate frequency, and R_4 , (1,000 Ω) and R_5 (300 Ω) are decoupling and self bias resistances. Details of the oscillator components and I.F. transformer are given in their appropriate sections. If a pentode acorn valve (there is not a hexode or heptode type available in this series) is employed as a frequency changer, the oscillator voltage is usually applied to the suppressor grid. Cathode 38 application has been used, but is normally less satisfactory because of the higher inter-electrode capacitance coupling between oscillator and signal circuits.

The Oscillator.

The great difficulty in ultra high frequency oscillators is to obtain sufficient oscillation amplitude without squegging or dead spots in the tuning range. A modified Colpitts circuit, $^{16, 21}$ (the interelectrode anode-cathode and grid-cathode capacitances act as the splitting capacitance to cathode), is often favoured as it uses no separate reaction coil. The grid coupling condenser C_9 in Fig. 17 is used to control oscillation amplitude, a value of about 20 $\mu\mu\text{F}$ being suitable. R_6 , the self biasing grid leak, has a value of about 50,000 Ω . R_7 prevents the centre tap of the coil being earthed as far as radio frequencies are concerned. If it is short circuited we have a Hartley oscillator. R_8 and C_{11} are decoupling components to reduce feedback from the audio frequency stages and to smooth out variations of H.T. voltage. An alternative circuit is the electron coupled oscillator of Fig. 18 36 , but this requires a separate triode valve oscillator because there is an oscillating voltage between cathode and earth. It is very suitable for capacitance tuned

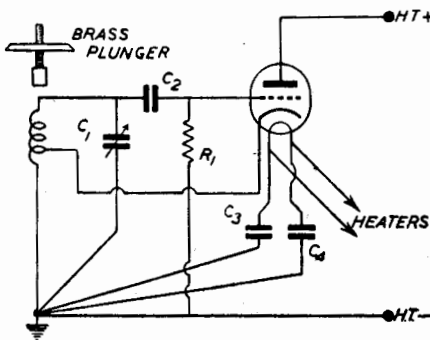


Fig. 18. Alternative form of oscillator circuit suitable for use with one side of the condenser earthed.

circuits when one side of the capacitor must be earthed. The oscillator grid of the hexode frequency changer is generally coupled by an RC circuit to the grid of the oscillator valve in Fig. 18. A suitable value for the grid leak resistance in the RC circuit is 50,000 Ω , and the capacitance should generally not exceed 10 $\mu\mu\text{F}$ because the oscillator grid input of the hexode has a low input resistance, which may be sufficient to prevent oscillation altogether if placed right across the oscillator tuned circuit. A small coupling capacitance of 10 $\mu\mu\text{F}$ acts to increase the parallel resistance reflected from

the hexode—a capacitance of $50\mu\text{F}$. will usually cause oscillation to cease. C_3 and C_4 are R.F. bypassing condensers; C_2 , the grid coupling condenser, has a value of $50\mu\text{F}$, and R_1 , the self bias grid leak, $50,000\Omega$, and C_1 is the tuning condenser.

The oscillator is a key point in the ultra high frequency receiver and satisfactory overall performance demands a high degree of frequency stability. Frequency error of the oscillator has a different effect on frequency modulation from that on amplitude modulation. In the latter case, unless the error is large, de-tuning results mainly in frequency distortion of the audio frequency output with accentuated high-frequency components producing high pitched shrill reproduction. Frequency modulation of the oscillator by hum or interfering voltages has no effect since the detector is responsive only to amplitude variation. In frequency modulation oscillator error limits the permissible frequency deviation of the carrier since it off-centres the latter with respect to the frequency-amplitude converter, and amplitude distortion of the audio output—flattening of the top or bottom half of the wave shape—results at high level modulation. The action of the limiter largely prevents the frequency distortion effect present with amplitude modulation. Frequency modulation of the oscillator by hum, noise, etc., is a serious matter, since the converter changes this to amplitude variation and produces an audio signal. We see, therefore, that oscillator long or short period frequency stability is of much greater importance in a frequency modulated system.

Causes of Frequency Instability.

Let us now consider the causes of frequency instability, separating the long from the short period effects. Slow drift of oscillator frequency is due to heat and humidity, the former generally predominating, whilst rapid changes are chiefly caused by H.T. supply voltage fluctuation due to hum, mains interference or feedback from the audio frequency stages. The tuning inductance and capacitance increase⁵⁰ with increase of temperature is mainly responsible for long period changes, though heating of the valve also contributes its quota, and the chief problem is to reduce these variations to a minimum. It is generally more difficult to produce a variable condenser with low temperature coefficient than a variable inductance, so that inductance tuning with fixed condensers of the silvered mica-type is preferable. Inductance variations with temperature result from an increase of radius and length, the former increasing and the latter decreasing L . Reduced variation is therefore possible by suitably proportioning the coefficient of radial and axial expansion (radial expansion coefficient should be about half that of axial). This can be achieved by winding the coil turns loosely on a former and fixing the ends firmly to the former so that radial expansion is determined by the conductor and axial by the

former. An alternative is to reduce both axial and radial expansion by shrinking the coil on to a former having low coefficients of expansion, *e.g.*, ceramic material has a coefficient of about 7×10^{-6} as compared with copper at 17×10^{-6} , and the dimensional change of a coil shrunk on to a ceramic former will be largely determined by the coefficients of the ceramic material.

Capacity Compensation.

Capacitance temperature changes are due to expansion and dielectric insulation variation. Careful mechanical design, such as accurate centring of the rotor plates of a variable condenser or the use of silvered mica plates to reduce capacitance variation due to pressure change in fixed condensers, can assist in controlling expansion effects, whilst the use of ceramic material reduces dielectric changes. Connecting leads should be short, securely fixed and not in tension. Preliminary cyclical heating is often an aid to frequency stability. Certain types of condensers can be constructed to give a negative temperature coefficient, *i.e.*, capacitance falls as temperature rises, and they may be used to compensate for the positive temperature coefficient of tuning inductance or capacitance. Compensation is only complete, however, at one particular frequency and the temperature of the corrector condenser must follow that of the component it is intended to compensate. Hence, it is still essential to aim at the highest possible stability before applying correction.

Oscillator Stability.

Valve temperature effects due to interelectrode dimensional changes (the capacitance variation is of the order of 0.02 to 0.04 $\mu\mu\text{F}$) can be reduced by loose coupling between active electrodes and the tuned circuit. The use of a harmonic of the oscillator for combining with the signal to produce the I.F., helps to reduce capacitance variations in inverse ratio to the harmonic employed, *i.e.*, using the second harmonic of the oscillator as the active frequency reduces the frequency drift for the same tuning inductance to one-half. There are disadvantages to oscillator harmonic operation since signals spaced the I.F. away from the fundamental and other harmonics will produce spurious responses. Greater frequency stability may be realised by operating the oscillator at a frequency lower than the signal by an amount equal to the intermediate frequency, and this confers no disadvantages when the signal circuits have preset tuning.

Humidity effects demand the use of non-hygroscopic insulation material, such as ceramic.

Supply voltage changes may cause slow or rapid changes of frequency. L.T. heater change is generally comparatively slow in action affecting valve temperature, cathode emission and cathode-heater resistance and capacitance (this is important in the electron

coupled oscillator of Fig. 18). A palliative is again loose coupling to the tuned circuit. Variation of H.T. supply controls frequency by reason of its effects on the mutual conductance and internal resistance of the valve, and it is largely responsible for frequency modulation troubles. Adequate decoupling and smoothing is an essential to stability, and feedback from the A.F. amplifier is lessened by using a push-pull output stage to the loudspeaker or even a separate H.T. supply.

CHAPTER V.

THE FREQUENCY MODULATION RECEIVER.

(Continued)

The I.F. Amplifier⁵².

THE actual value of the intermediate frequency must naturally first be settled. The comparatively wide pass band required (200 kc/s) limits the minimum I.F. to 2 Mc/s, but the question is whether a higher value would be preferable. The lowest possible value of I.F. has advantages, greater amplification and selectivity with stability, but the possibility of spurious responses is greater. Spurious responses, generated by the frequency changer, are in order of importance.

- (1) The image, due to interaction between the local oscillator and an undesired signal at a frequency as much above or below the oscillator frequency as the desired signal is below or above. If image response is only likely to be serious over a given band of frequencies embracing the desired signal, it can be avoided by making the I.F. at least half of this band, *e.g.*, if we assume frequency modulated transmissions to cover a band from 40 to 50 Mc/s, an I.F. above 5 Mc/s will prevent image interference from transmissions in this band.
- (2) Oscillator harmonic response due to combinations of oscillator harmonics and undesired signals.
- (3) Signal harmonic response from interaction of undesired signal frequency harmonics with the oscillator fundamental.
- (4) Signal and oscillator harmonic combinations. Interaction between equal harmonics of both, *e.g.*, second harmonic of signal and oscillator, is likely to be more serious than unequal harmonics since the former are nearer to the desired signal.
- (5) I.F. harmonic response due to the desired signal being close in frequency to an I.F. harmonic. It is usually caused by feedback along the A.G.C. or H.T. line or by stray coupling between the limiter or detector and the aerial.
- (6) Direct I.F. response, due to a signal at the fundamental or sub-multiple of the intermediate frequency, the latter being converted to the I.F. by the frequency changer stage.
- (7) Interaction between undesired signals separated by the intermediate frequency.
- (8) Cross modulation.

A high value of intermediate frequency assists in reducing interference from 1, 2, 3, 4, and 7 because it removes the interfering signal further from the desired and allows R.F. selectivity to be more effective. Interference from 5 and 6 is increased by raising the

intermediate frequency, but the effect of 5 can be mitigated by adequate I.F. decoupling of the limiter anode circuit, the detector-first A.F. amplifier connexion and A.G.C. line. It is not likely to be serious since the probable maximum value of I.F. (10 Mc/s) requires fourth harmonic feedback to cause interference in the 40-50 Mc/s band. Cross modulation is rarely a serious problem in the amplitude modulation receiver and Wheeler ⁴² states that it has little interference capability in frequency modulated reception.

Since the limiter requires a certain minimum input voltage (from 2 to 5 volts) to remove amplitude variation, the gain of the I.F. amplifier must be sufficient to bring the weakest probable signal up to the limiter input minimum. In general much greater I.F. amplification is required for frequency modulation than for amplitude modulation so that the maximum intermediate frequency must be limited to that value which gives the required overall gain without approaching instability. A value between 4 and 5 Mc/s is a reasonable compromise and in subsequent calculations we shall assume an I.F. of 4.5 Mc/s. There are other methods of reducing spurious responses besides that of a high intermediate frequency: the reduction of input voltage to the frequency changer by A.G.C. on the R.F. stage and increased R.F. selectivity decrease effects from 3 and 4, whilst the reduction of oscillator voltage to the lowest level consistent with satisfactory frequency changing decreases responses from 2 and 4.

The problems to be solved in the design of the I.F. amplifier are therefore to obtain highest overall amplification with freedom from self oscillation, and level pass band with rapid attenuation outside this band. Sources of instability are input-output coupling, common impedance to the intermediate frequency in valve electrode leads normally carrying only D.C. or mains A.C. currents (anode H.T. supply, screen, grid bias, cathode and heaters) and grid-anode interelectrode capacitance. The first two can be reduced to negligible proportions by suitable shielding and decoupling circuits.

Common impedance coupling can largely be eliminated by connecting decoupling condensers for each stage to a common earth point as for the R.F. amplifier. Thus we come to the basic fact that grid-anode capacitance feedback sets a limit to maximum overall amplification. This feedback effect is most conveniently specified in terms of grid input admittance, and analysis shows that the input admittance is equivalent to a

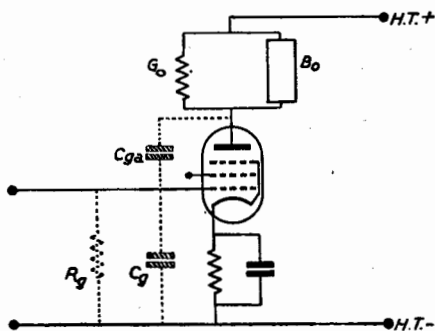


Fig. 19. Equivalent grid input admittance of a valve with grid-anode capacitance feedback.

resistance and capacitance in parallel (Fig. 19) the approximate formulae for which are

$$R_g = \frac{G_o^2 + B_o^2}{g_m B_o \omega C_{ga}} \quad \dots \quad \dots \quad \dots \quad \dots \quad \dots \quad \dots \quad \dots \quad (16)$$

and

$$C_g = C_{ga} \left[1 + \frac{g_m G_o}{G_o^2 + B_o^2} \right] \quad \dots \quad \dots \quad \dots \quad \dots \quad \dots \quad (17)$$

where G_o = the conductance of the anode circuit,
 B_o = the susceptance of the anode circuit,
 and C_{ga} = grid-anode capacitance.

It should be noted that the anode susceptance B_o is positive and equal to ωC_o when the anode circuit parallel capacitance is C_o , and

negative (equal to $-1/\omega L_o$) when the parallel inductance element is L_o ; i.e., regeneration occurs when the anode circuit is inductive and instability is possible, but degeneration results when the anode is capacitive. Now a parallel tuned circuit is inductive at frequencies below resonance and capacitive at frequencies above, so that an amplifier having a tuned anode circuit tends to increase the amplitude of frequencies in its grid circuit below its resonant frequency and decrease those

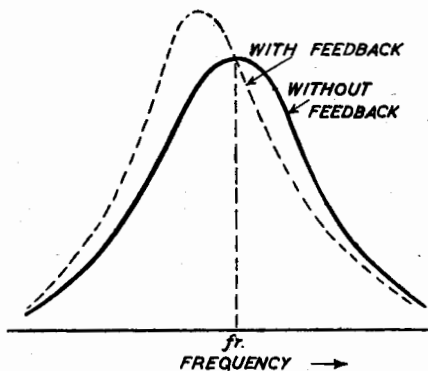


Fig. 20. Effect of grid anode coupling on the overall frequency response of an amplifier with single tuned circuits in grid and anode.

above. If, therefore, a similar tuned circuit is supplying the input signal the otherwise symmetrical overall frequency response is given an asymmetrical character with low frequencies "boosted" and high frequencies depressed as shown in Fig. 20. This distortion of the frequency response occurs before the amplifier reaches an unstable condition and maximum usable amplification is therefore limited to a value very much less than that causing self oscillation. The actual value must be such that the minimum negative resistance component, R_g (min), of the grid input admittance is at least ten times the parallel resistance component of the grid tuned circuit if frequency distortion is to be negligible. The minimum resistance R_g is obtained by differentiating expression (16) with respect to B_o and equating to 0, from which

$$B_o = \pm G_o \quad \dots \quad \dots \quad \dots \quad \dots \quad \dots \quad \dots \quad \dots \quad (18)$$

B_o is treated as the variable since it changes rapidly in the region of resonance, from a high negative value below, through zero at resonance, to a high positive value above. G_o over the same

frequency range remains practically constant and equal to the reciprocal of the dynamic impedance ($R_{D0} = \omega_r L_0$, $Q_0 = \frac{Q_0}{\omega_r C_0}$, where ω_r is the resonant pulsance) of the anode tuned circuit. Hence the minimum value of resistance is

$$R_g(\min) = \frac{2G_0}{g_m \omega C_{gk} g_m \omega C_{gk} R_{D0}} \dots \dots \dots (19)$$

and this must be at least $10 \times R_{D1}$ where R_{D1} is the dynamic impedance of the input tuned circuit. If instead of single tuned circuits, we have double tuned transformers, calculation may be based on the assumption that coupling is never less than critical, and under these conditions one circuit reflects into the other a resistance equal to its initial resistance, *i.e.*, the actual dynamic impedance is half that of one tuned circuit alone and expression (19) becomes

$$R_g(\min) = \frac{4}{g_m \omega C_{gk} R_{D0}} \dots \dots \dots (20)$$

To obtain a flat frequency response over the pass band it is necessary to combine single tuned circuits with over-coupled circuits with double peaked response¹², the peak of the single circuit filling in the trough of the two over-coupled circuits as shown in Fig. 21.

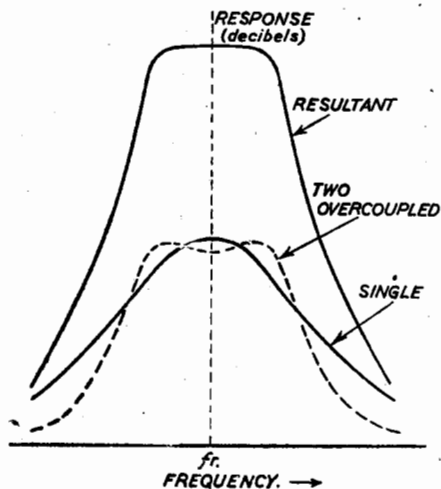


Fig. 21. Addition of the frequency response of a single and two over-coupled circuits to give a flat pass band response.

The combination of a pair of over-coupled circuits with a pair of under or critically coupled circuits with single peaked response has much the same effect and we shall use these principles in the design of the I.F. amplifier, the diagram of which is given in Fig. 22. V_1 , the frequency changer valve, has a pair of critically coupled tuned circuits in its anode circuit, the first and third I.F. amplifier valves (V_2 and V_4) a pair of over-coupled circuits and the second (V_3) a single tuned circuit. Three stages of I.F. amplification are employed as this is about the minimum number for adequate gain.

By using the generalised curves developed by Beatty⁸ for the frequency response of single and double tuned circuits and assuming that the primary and secondary circuits of T_2 and T_4 are identical, we find that an almost

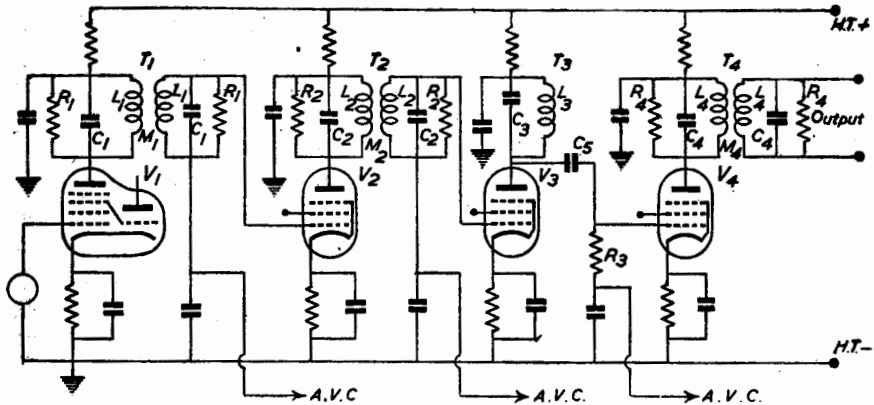


Fig. 22. Circuit diagram for a typical I.F. Amplifier.

flat pass band response can be obtained by combining two pairs of over-coupled circuits (T_2 and T_4) of constant $Q_2 k_2 = 2$, with one pair of critically coupled circuits (T_1) of $Q_1 k_1 = 1$, and a single tuned circuit

(T_3), where k is the coupling coefficient ($\frac{M_1}{L_1}$ for T_1 and $\frac{M_2}{L_2}$ and $\frac{M_4}{L_4}$ for

T_2 and T_4) and Q is the magnification of one of the circuits in the absence of coupling from the other. The over-coupled circuits T_2

and T_4 have maximum response at $\frac{Q_2 2 \Delta f}{f_z} = \pm 1.8$ where Δf is the

frequency off tune from f_z , the resonant or trough frequency, and the trough to peak ratio is -2 db. By selecting Q_2 to satisfy the above expression when $\Delta f = \pm 100$ kc/s (the maximum frequency deviation of the frequency modulation) we have

$$Q_2 = \frac{1.8 f_z}{2 \Delta f} = \frac{1.8 \times 4.5}{0.2} = 40.5 \dots \dots \dots (21)$$

and the two transformers T_2 and T_4 with this Q value will give a peak at 100 kc/s on either side of the central frequency or trough position, at which there is 4dbs loss. The frequency response of the two circuits is the dotted curve 2 of Fig. 23. Similarly, if Q_1 and Q_3 are chosen to satisfy the condition

$$Q_1 = Q_3 = \frac{f_z}{2 \Delta f} = 22.5 \dots \dots \dots (22)$$

at $\Delta f = 100$ kc/s, we have the broken and full line curves 1 and 3 with a loss of 3 and 1 db respectively at 100 kc/s off tune, thus exactly counterbalancing the gain of 4 dbs due to T_2 and T_4 . There is not exact compensation at all frequencies in the pass band,

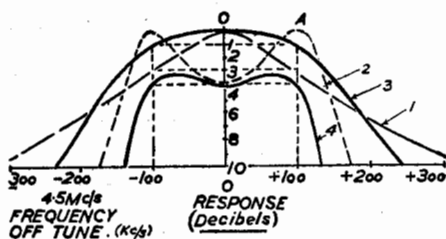


Fig. 23. Frequency response of (1) a single tuned circuit, $Q=22.5$; (2) two overcoupled circuits, $Q=40.5$, $Qk=2$; (3) two critically coupled circuits, $Q=22.5$; (4) overall for (1) + (3) + 2 of (2)

are identical with $g_m=2\text{mA/volt}$, $C_{gs}=0.02\ \mu\text{F}$ and an internal resistance $R_a \gg R_D$. Hence maximum gain is given by $g_m R_D$ and $g_m R_D/2$ for single and double tuned circuits respectively. Since $R_D=Q\omega L=Q/\omega C$, and Q is fixed by frequency response considerations, it is clear that maximum gain per stage requires minimum tuning capacitance (C), which in practice is about $50\ \mu\text{F}$. Using this value and starting at the last I.F. amplifier, we find that $C_4=50\ \mu\text{F}$; $L_4=25\ \mu\text{H}$, $f_r=4.5\ \text{Mc/s}$ and from expression (21), $Q_4=40.5$, so that $Q_4 k_4=2$ gives $k_4=0.0495$ and $M_4=k_4 L_4=1.235\ \mu\text{H}$.

$$R_{D4} = \frac{Q_4}{\omega_r C_4} = \frac{40.5 \times 10^{12}}{6.28 \times 4.5 \times 10^6 \times 50} = 28,700\ \Omega$$

Maximum gain at the frequency response peak (A in Fig. 23) is

$$G_4(\text{max}) = g_m \frac{R_{D4}}{2} = 28.7$$

Expression (20) gives the minimum input resistance at the grid of V_4 as

$$R_{g4}(\text{min}) = \frac{4}{g_m \omega C_{gs} R_{D4}} = \frac{4 \times 10^{12}}{2 \times 10^{-3} \times 6.28 \times 4.5 \times 10^6 \times 0.02 \times 28,700} = 123,200\ \Omega$$

The dynamic impedance of T_3 must not therefore exceed $12,320\ \Omega$ if the frequency response is not to be seriously affected by feedback.

$$\begin{aligned} \therefore R_{D3} &= 12,320\ \Omega \text{ and from (22) } Q_3 = 22.5 \text{ and } C_3 = \frac{Q_3}{\omega R_{D3}} \\ &= \frac{22.5 \times 10^{12}}{6.28 \times 4.5 \times 10^6 \times 12,320} \mu\text{F} \\ &= 64.5\ \mu\text{F} \\ L_3 &= 19.4\ \mu\text{H} \\ G_3(\text{max}) &= g_m R_D = 24.64 \end{aligned}$$

but the variation in the overall response curve (4 in Fig. 23) does not exceed 0.7 db. Having determined the Q values of the various circuits we now have to select the L and C values to give a grid input resistance component R_g not less than 10 times the dynamic resistance of the grid circuit. In designing the amplifier we will assume that valves V_2 , V_3 and V_4

Expression (19) gives

$$R_{g3} (\text{min}) = \frac{2}{g_m \omega C_{gs} R_D} = 143,500 \Omega.$$

The dynamic resistance of the transformer T_2 secondary is $R_{D2}/2 = R_{D4}/2 = 14,350 \Omega$ and this fulfils the condition that $\frac{1}{2}R_{D2}$ shall not be greater than $R_{g3} (\text{min.})/10$. All circuit constants are identical with those of T_4 . Hence

$$R_{g2} (\text{min}) = R_{g4} (\text{min}) = 123,000 \Omega.$$

Transformer T_1 must have a dynamic impedance not exceeding $12,300 \Omega$, *i.e.*, $R_{D1} > 24,600 \Omega$. The maximum dynamic impedance is, however, fixed for us because Q_1 is to be 22.5 and C_1 not less than $50 \mu\mu\text{F}$.

$$\therefore R_{D1} = \frac{Q_1}{\omega C_1} = \frac{22.5 \times 10^{12}}{6.28 \times 4.5 \times 10^6 \times 50} = 15,900 \Omega.$$

This value of R_{D1} cannot be exceeded without reducing C_1 but as it is less than the maximum R_{D1} required by feedback considerations it simply means that feedback has even less effect. The constants for T_1 are therefore

$$C_1 = 50 \mu\mu\text{F}, L_1 = 25 \mu\text{H}, Q_1 = 22.5.$$

$$M = \frac{L}{Q} = 1.11 \mu\text{H}. \quad (Q_1 k_1 = 1), \quad R_{D1} = 15,900 \Omega.$$

$$G_1 (\text{max}) = g_c \frac{R_{D1}}{2}$$

where g_c = the conversion conductance of the frequency changer valve V_1 ; a suitable value is 0.3 mA/volt.

$$\therefore G_1 (\text{max}) = 0.3 \times 7.95 = 2.385$$

The overall gain of the I.F. amplifier from the grid of V_2 is 28.7 (gain of V_2) \times 24.6 (gain of V_3) \times 28.7 (gain of V_4) divided by 1.587 (this is the ratio corresponding to the 4db loss from peak to trough in V_2 and V_4).

$$\therefore \text{Total gain} = 12,800$$

or including the frequency changer, the gain from the grid of V_1 to the output of V_4 is 30,500.

No attempt has been made to specify the values of the resistances R_1, R_2 , etc., shunting T_1, T_2 , etc., because they will depend on the initial Q of the coils. For example, suppose the Q of the coils of T_1 is 150, the equivalent dynamic resistance of the tuned circuit is

$$R_D = \frac{Q_o}{\omega C} = \frac{150 \times 10^{12}}{6.28 \times 4.5 \times 10^6 \times 50} = 106,000 \Omega.$$

R_1 must be such that when paralleled with $106,000\Omega$ the total is $15,900\Omega$,

$$\text{i.e., } R_1 = \frac{106,000 \times 15,900}{106,000 - 15,900} = 18,700 \Omega.$$

Similar procedure can be used to find R_2 , R_3 and R_4 . It should be noted that R_3 is the grid leak for V_4 and that the coupling condenser C_5 ($0.001 \mu\text{F}$) is sufficiently large for R_3 to be effectively in parallel with L_3 and C_3 .

The Amplitude Limiter Stage.

In order to take full advantage of F.M. transmissions some circuit must be included to reduce to negligible proportions any amplitude modulation of the carrier due to noise, interference or variation in the overall frequency response of the receiver pass band. This is essential because the A.F. content of the F.M. signal is extracted by means of an amplitude detector, such as a diode, after its frequency variation has been converted to an amplitude variation ; an initial A.F. amplitude variation of the carrier is detected at the same time and produces an undesired audio output.

There are five possible types of amplitude limiter :—

- (1) A saturated amplifier, having an amplification factor inversely proportional to the amplitude of the input signal.
- (2) A controlled local oscillator, locked by the frequency of the F.M. input but having an output voltage amplitude independent of the amplitude of the controlling signal.
- (3) An integrating device, having an output voltage dependent upon the frequency but independent of the amplitude of the input signal.
- (4) A negative feedback system, which detects the amplitude modulation and uses it to supply A.G.C. bias to the I.F. valves to reduce envelope as well as carrier variations.
- (5) A neutralising device which detects the amplitude modulation and supplies it in reversed phase to the F.M. audio output so as to cancel the initial amplitude variation.

The saturated amplifier is the most common type of limiter and only this form will be considered. Details of the other kinds are to be found in Chapter 15, Part II, of the author's book, *Radio Receiver Design*. A typical circuit for the saturated amplifier limiter is shown in Fig. 24 ; the carrier input is detected by the $I_g E_g$ characteristic of the valve and automatic bias is produced across R_6 . Any change in carrier amplitude causes a corresponding change in bias, e.g., increase of carrier increases the negative bias across R_6 . Provided the gain of the valve to carrier fundamental frequency is inversely proportional to the grid bias, and the bias voltage is a

faithful reproduction of the amplitude modulation envelope, amplitude modulation is absent from the output. This condition can be approached by operating the valve with a low cut-off ($I_a=0$) bias causing it to act as a Class C amplifier. Hence the valve in Fig. 24 has low voltages on screen and anode (about 40 volts), and for satisfactory operation a non-variable- μ , short grid base, valve is essential. The resemblance of the limiter stage to a "leaky grid" detector may be noted; it is in fact this type of detector working under saturated conditions, with an anode circuit tuned to the carrier fundamental

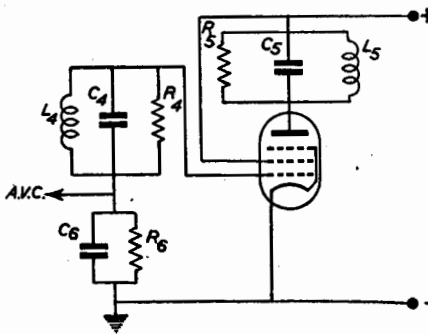


Fig. 24. An amplitude limiter circuit.

instead of an aperiodic circuit accepting audio frequencies. In the "leaky grid" detector the time constant of the self-bias resistance R_6 and condenser C_6 must allow the bias change to follow exactly the modulation envelope and this also applies to the limiter. A suitable time constant is from 10 to 20 microseconds with $R_6=100,000\Omega$ to $200,000\Omega$ and $C_6=100\mu\mu\text{F}$. If the time constant is too high the bias variation is not proportional to the amplitude modulation, and if it is too low bias change is reduced and gain control compensation

inadequate. Typical limiter input-output curves are shown in Fig. 25. The output variation is about 2.5 per cent. (curve 1) from 2.4 to 2.34 volts for a 2.0 to 20 input voltage change with $E_s=E_a=36$ volts. Increasing E_s (curve 2) raises the output level, but does not change the general shape of the curve, whilst increasing E_a (curve 3) moves the point of level output to a higher input voltage (roughly in

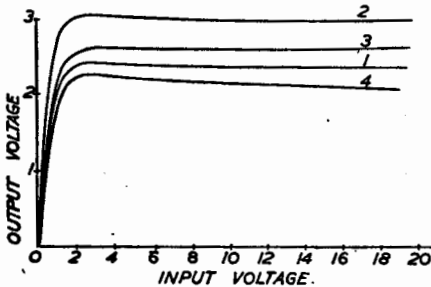


Fig. 25. Typical input-output voltage curves for an amplitude limiter.

proportion to the increase in E_s) and tends to greater variation in output voltage. In all cases the output voltage rises to a maximum and then falls slightly as input is increased. This is due to the fact that the valve is distorting the input wave and producing more harmonic and less fundamental. The rate of fall of output is very largely controlled by R_6 , high values of which increase the rate of fall. (Compare curves 1 and 4.) The tuned circuit in the anode of

the limiter must bypass satisfactorily harmonics of the input voltage without appreciably affecting fundamental amplitude over the pass range from 4.4 to 4.6 Mc/s (4.5 ± 0.1 Mc/s). Reduction of the amplitude of frequencies at the edges of the pass band results in harmonic distortion of the audio frequency output from the frequency-amplitude converter detector. If the reduction is the same at each end of the pass range the distortion consists mainly of odd harmonics (3rd, 5th, etc.). It may be noted that variations of pass band response before the limiter are compensated by its action, but subsequent variations result in harmonic distortion of the audio frequency output. A suitable value of Q for the limiter anode tuned circuit is 4.5 which gives a loss of 0.1 db (representing 1 per cent. change of amplitude) at 4.6 Mc/s and a loss of 19 db (representing a reduction to 1/10 amplitude) at 9 Mc/s the second harmonic frequency. The frequency-amplitude converter circuit which follows, may constitute the anode load of the limiter, or it may have a separate valve amplifier.

Since across R_6 in Fig. 24 there is a negative voltage proportional to carrier amplitude it may be used as a source of A.G.C. for the R.F. and I.F. stages of the receiver. Overloading of the frequency changer can thus be prevented. A.G.C. of the frequency changer stage is not usually employed because of electron coupling between signal and oscillator circuits, any change of which causes oscillator frequency drift.

CHAPTER VI.

FREQUENCY TO AMPLITUDE CONVERSION.

THE chief difference between frequency and amplitude modulated reception lies in the method of making intelligible the audio frequency signal conveyed in the modulation. The principle underlying methods of detecting frequency modulation is the conversion of the frequency into an amplitude change of carrier, which is then applied to an amplitude detector such as a diode. The conversion must be accomplished in a linear manner, *i.e.*, the amplitude change is directly proportional to the frequency change, and also efficiently so that the resultant amplitude modulation is high. Many of the advantages of frequency modulation disappear if the frequency-amplitude conversion efficiency is low. One of the earliest methods⁶ was to apply the frequency modulated wave to a circuit off tuned from the carrier unmodulated value. For example, a

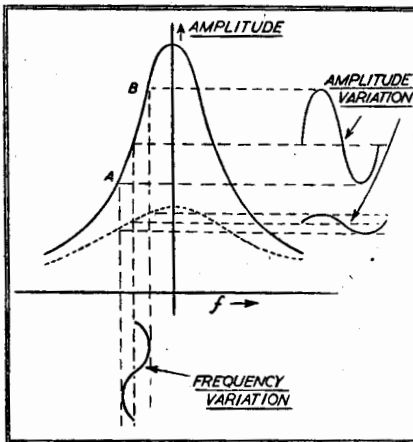


Fig. 26. Frequency amplitude conversion of a detuned circuit.

parallel tuned circuit, connected in the anode of a tetrode or pentode valve, produces an output voltage-frequency curve as shown in Fig. 26, when a constant amplitude variable frequency voltage is applied between grid and cathode. If this circuit is detuned (above or below) from the carrier unmodulated frequency, frequency modulation results in an output voltage of amplitude proportional to the frequency deviation of carrier. It will, however, only be linearly proportional if the carrier frequency deviation is confined to the linear part AB of the curve. By applying the output voltage to an amplitude detector, such as a diode, an audio frequency signal, corresponding to the original signal modulating the transmission is obtained. Although variation of frequency as well

as amplitude of the output voltage is occurring it is only the amplitude change which is detected by the diode, for the latter cannot differentiate against change of frequency. It is clear that this method of detection is very inefficient, partly because it is dependent on the slope of the output voltage-frequency curve, which for practical circuits is not very high, but mainly because the tuned circuit is operated in the detuned condition where overall amplification is low. An amplitude modulated signal is amplified at the flat top portion of the output curve where amplification is maximum. Furthermore full advantage cannot be taken of increased deviation of carrier for the circuit must be damped (see the dotted curve in Fig. 26) to increase the linear part of the curve, and conversion efficiency is thus reduced.

A second method of detection suppresses one set of sidebands, and the principles involved are best understood by taking the carrier and sideband analysis set out in Chapter I. There we showed that a frequency modulated wave was represented by a carrier frequency (equal to the central unmodulated value) and pairs of sidebands spaced $\pm f_m$, $\pm 2f_m$, etc., from the carrier, the odd-numbered sideband pairs combining to give a resultant at 90° to the carrier and the even ones having a resultant in line. The addition of the first pair of sidebands to the carrier gives the frequency (and partially amplitude)

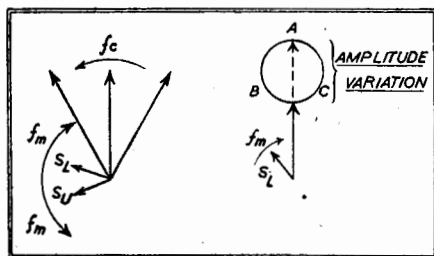


Fig. 27. Frequency amplitude conversion by suppression of one sideband.

modulated carrier of Fig. 27 and taking this as a basis we see that suppression of one of the sidebands results in the mainly amplitude modulated carrier, whose locus of operation is the circle ABC. The amplitude modulation is not directly proportional to the original frequency modulation even when all sidebands (instead of one pair) are considered and

detection of the amplitude variation by a diode produces a distorted audio frequency output containing mainly second harmonic. The suppression of one half of the sidebands is clearly inefficient since the transmitted energy in these is not used. Both disadvantages may be overcome by applying the frequency modulated wave to two channels²⁰, one containing a filter suppressing the upper set of sidebands and the other a filter suppressing the lower set. Fig. 28 illustrates the schematic diagram. The diode detector outputs are connected in opposition so that an unmodulated carrier produces zero volts across AC. The amplitude variations of the carrier at the outputs of the two filters are in phase opposition (the upper sideband in Fig. 27 is subtracting from the carrier when the lower is adding) so that modulation causing the volts to rise across AB reduces the volts

across BC and there is a double increase in the audio frequency output voltage change across AC. This phase opposition also leads to cancellation of the second harmonic distortion in the amplitude variation, and the resultant voltage across AC is therefore a reproduction of the audio frequency signal modulating the transmitter.

A third (the most popular) method employs a frequency discriminator similar to the one used for automatic frequency correction of the oscillator in amplitude modulated superheterodyne receivers.

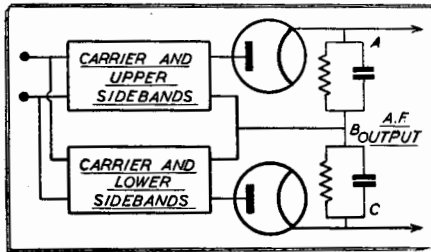


Fig. 28. Frequency-amplitude conversion and detection by means of sideband suppression using both sidebands.

In an A.F.C. system this discriminator translates I.F. carrier frequency error into a D.C. bias voltage, which is (for example) increasingly negative for frequencies below, zero at the correct carrier setting and positive for frequencies above. If, therefore, we apply a sinusoidal frequency modulated carrier to such a circuit, the actual D.C. bias voltage will remain constant, provided

the unmodulated carrier frequency is located correctly, but there will be a sinusoidal A.C. component in the output, which will correspond in amplitude to the original frequency modulation. There are two types of discriminator, one known as an amplitude and the other as a phase discriminator, and both can be equally effective as frequency-amplitude converters.

The first type in essence consists of a valve (to the grid of which is applied the frequency modulated signal) having two series-connected anode circuits, one tuned above and the other below the unmodulated carrier or central frequency by equal amounts. The outputs from the two circuits are connected to diode detectors (Fig. 29a) the D.C. load resistances of which are connected to give opposing voltages. Thus the total D.C. voltage across AC is zero when the input voltage has a frequency equal to the central frequency midway between the resonant points of circuits 1 and 2. When the input frequency is changed to bring it closer to the resonant point of 1 the D.C. voltage across AB rises and that from 2 across AC falls, *i.e.*, there is a double increase in volts across AC similar to that realised by the second method. The action of the discriminator is illustrated in Fig. 29b, which shows the frequency response curves for circuits 1 and 2; since the detected voltages are in opposition the active voltage is represented by the difference between the two curves, and this is

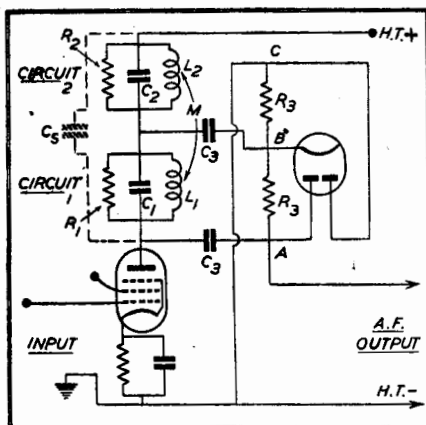


Fig. 29a. Amplitude discriminator as a frequency amplitude converter.

indicated by the dotted curve. By applying a frequency modulated wave (unmodulated carrier equal to the central frequency 4.5 Mc/s) an amplitude modulated output is obtained. The principle of operation is similar to that for the first method except that the carrier deviation is accommodated on two tuned circuits, with consequent increase in efficiency and frequency range over which the frequency - amplitude conversion is linear. The frequency response curves in

Fig. 29a are obtained from the generalised curve of a single tuned circuit due to Beatty⁸, who shows that the ratio of maximum response at the resonant frequency f_r to that at any off-tune frequency Δf is given by

$$R_{\Delta f} = \frac{\text{Response at } f_r + \Delta f}{\text{Response at } f_r} = \frac{1}{\sqrt{1 + \left(\frac{Q^2 \Delta f}{f_r}\right)^2}} \quad \dots \quad (23)$$

where Q = the magnification of the circuit. The horizontal frequency scale is marked in Δf , the off-tune frequency from the resonant frequencies of 1 and 2 (4.4 and 4.6 Mc/s), and in actual frequencies, but the curves are calculated on the assumption that the resonant frequency for each tuned circuit is 4.5 Mc/s, *i.e.*, the curve for circuit 1 is identical to that for circuit 2 except that it is displaced downwards by 0.2 Mc/s. For maximum conversion efficiency the slope XOX' of the dotted curve, and hence the slope of the response curves of 1 and 2, must be as steep as possible. However, maximum slope XOX' is not the sole criterion of performance because the resultant amplitude variation must be linearly proportional to the frequency deviation of the carrier from its unmodulated value. Greatest range of linearity is achieved by satisfying the condition

$$Q = \frac{f_r}{2 \Delta f} \quad \dots \quad \dots \quad \dots \quad \dots \quad \dots \quad \dots \quad (24)$$

where f_r = resonant frequency of either tuned circuit ;

$$\Delta f = f_c - f_{r1} \text{ or } f_{r2} - f_c = 100 \text{ kc/s ;}$$

and f_c = the central (*i.e.*, carrier) frequency of the discriminator at which the D.C. output voltage is zero, *viz.*, the intermediate frequency of 4.5 Mc/s.

Hence for circuit 1 $Q_1 = \frac{4.4}{0.2} = 22$

and for circuit 2 $Q_2 = \frac{4.6}{0.2} = 23$

In practice the result is satisfactory if $Q_1=Q_2=22.5$. The composite dotted curve in Fig. 29b shows a turn-over at top and bottom, and if the frequency deviation exceeds about ± 80 kc/s the positive and negative peaks of the A.F. output signal are flattened with consequent production of odd harmonics (3RD, 5TH, etc.) If larger frequency deviations are to be accommodated, the separation of the resonant frequencies of circuits 1 and 2 must be increased and their Q value decreased.

To determine frequency-amplitude conversion efficiency we must first find the slope of the composite characteristic, XOX' in Fig. 29b, by differentiating expression 23 with respect to Δf . Thus the slope of XOX' is

$$\text{Slope} = \frac{dR}{d(\Delta f)} = \frac{\frac{1}{2} \frac{4Q^2}{f_r^2} 2\Delta f}{\left[1 + \left(\frac{Q^2\Delta f}{f_r}\right)^2\right]^{3/2}} = \frac{4Q^2\Delta f}{f_r^2 \left[1 + \left(\frac{Q^2\Delta f}{f_r}\right)^2\right]^{3/2}} \quad (25)$$

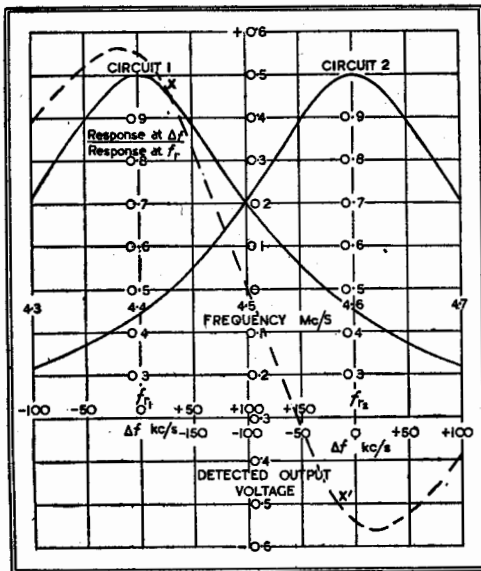


Fig. 29b. Frequency response curves and detected output voltage for the amplitude discriminator.

Note—The polarity of the dashed curved must be reversed to line up with Fig. 29a.

Conversion efficiency is best expressed in terms of peak output voltage per 1 kc/s frequency change from the central value (4.5 Mc/s) per 1 volt peak input at the grid of the discriminator valve. It is obtained by multiplying expression (25) by $2g_m R_D \eta_d$; the factor 2 is necessary since expression (25) gives the slope of one circuit alone and the composite dotted curve, which is the difference between the slopes of 1 and 2, is twice that of either. R_D is the resonant impedance of either circuit in Fig.

29a, including damping from its diode and diode load resistance R_3 , *i.e.*, each circuit is damped by the resistance R_3 [C_3 is a coupling condenser (.0001 μF) of low reactance] in parallel with $R_3/2$, that due to diode conduction current, giving a total damping resistance of $R_3/3$. The voltage detection efficiency, η_d , of the diode detectors is the ratio of the A.F. voltage output change to the amplitude modulated carrier input amplitude change; an average value for this is 0.85.

The value of R_D is limited by the anode-earth capacitance, which forms a coupling reactance between the two circuits 1 and 2, and modifies their frequency response. For example, an anode-earth capacitance of 10 $\mu\mu\text{F}$ has a reactance of 3540 ohms at 4.5 Mc/s, so that we cannot allow R_D to exceed about 2000 ohms. Assuming $g_m = 2\text{mA/volt}$, $R_D = 2000\Omega$ and $\eta_d = 0.85$, conversion efficiency

$$= 2 \times 2 \times 10^{-3} \times 2000 \times 0.85 \times \frac{4 \times 22.5^2 \times 100}{(4.5 \times 10^3)^2 \left[1 + \left(\frac{22.5 \times 200}{4.5 \times 10^3} \right)^2 \right]^{3/2}}$$

$$= \frac{2.72 \times 10^2 \times 22.5^2}{(4.5 \times 10^3)^2 \times 2^{3/2}}$$

$$= 0.024 \text{ peak volts per kc/s off tune per 1 volt peak input.}$$

The stray capacitance coupling between the circuits can be neutralised by providing mutual inductance coupling between the coils, see M in Fig. 29a, such that

$$\frac{M}{\sqrt{L_1 L_2}} = \frac{C_s}{\sqrt{C_1 C_2}}$$

The direction of M is important, and it should be positive according to the convention⁵² adopted for M as a shunt arm in the equivalent T network and not according to the convention¹⁵ adopted with regard to the series arm. In a negative direction M adds to the coupling due to C_s and makes the frequency response even worse.

In calculating component values for circuits 1 and 2, we may assume that they are identical except for C_1 and C_2 , which are adjusted for resonance at 4.4 and 4.6 Mc/s respectively, and also that the error involved in taking the resonant frequency of both circuits as 4.5 Mc/s is negligible. Thus

$$L_1 = L_2 = \frac{R_D}{\omega_m Q} = \frac{2000}{6.28 \times 4.5 \times 10^6 \times 22.5} = 3.14 \mu\text{H.}$$

$$C_1 = 416 \mu\mu\text{F} \quad (f_{r1} = 4.4 \text{ Mc/s})$$

$$C_2 = 380 \mu\mu\text{F} \quad (f_{r2} = 4.6 \text{ Mc/s})$$

Assuming R_3 to be 0.1 $\text{M}\Omega$, the resistance contributed by the diode circuits is $\frac{1}{3}R_3$ *i.e.*, 33,333 ohms, so that additional damping resistances of approximately 2130 ohms are required across each circuit to bring R_D down to 2000 ohms.

The phase discriminator¹⁹, a later development, uses the fact that the voltage across the secondary circuit of a double tuned transformer is 90° or 270° out of phase with that across the primary at the resonant frequency to which both are tuned. In one of

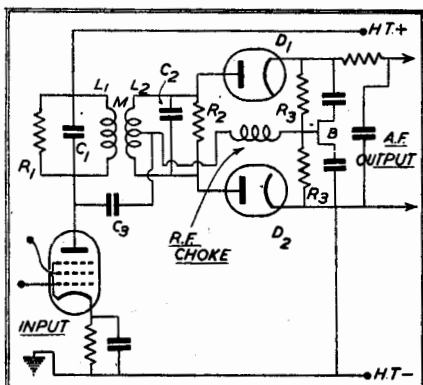


Fig. 30. The phase discriminator as a frequency-amplitude converter.

its simplest forms (see Fig. 30) the secondary is centre tapped and half its voltage in series with the primary voltage is applied to one diode D_1 and the other half also in series with the primary to a second diode D_2 . The primary voltage is developed across the R.F. choke between the centre tap of the secondary and the centre point of the diode load resistances R_3 and R_3 by means of the coupling condenser C_3 . The D.C. outputs of the two diodes are

connected in opposition, and an overall frequency response curve similar to the dotted composite curve of Fig. 29b is obtained when both primary and secondary are tuned to the central frequency, f_c . An understanding of the operation of the phase discriminator giving two voltage peaks off-tuned from the resonant frequency of the primary and secondary circuits is best gained by reference to the vector diagram of Fig. 31. The primary voltage vector is E_1 and the half secondary voltage vectors $\pm E_2/2$ are shown in phase opposition because of the centre tap. At resonance the primary and secondary vectors are at right angles, but for frequencies above and below f_c the two secondary vectors are tilted either to positions $\pm E_2'/2$ or to positions $\pm E_2''/2$. The amplitudes of the secondary voltages decrease as the off tune frequency increases as shown in Fig. 31. The primary voltage vector amplitude also changes when the off-tune frequency increases, and for couplings approaching critical or greater it increases at first as the frequency departs from the resonant value of primary and secondary.

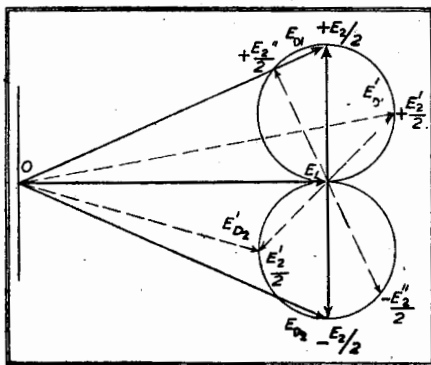


Fig. 31. Vector diagram of phase discriminator.

This means that the frequency response of the primary is double humped with peaks on either side of resonance, and the frequencies at which they occur move further from resonance as the coupling is increased between primary and secondary. If the amplitude of the primary voltage vector E_1 in Fig. 31, is assumed to remain constant as the off-tune frequency is increased, it is found that the output voltages from the diode detectors D_1 and D_2 have maximum values in the region of the 45° positions of the half secondary voltage vectors. This causes the frequency response of the input voltage E_{D1} to be similar to that of circuit 1 of the amplitude discriminator with maximum response below that of the resonant frequency (4.5 Mc/s), and conversely the frequency response of E_{D2} is similar to that of circuit 2 with a maximum above 4.5 Mc/s. The actual off-tune frequencies at which the maxima occur is determined by the Q of the primary and secondary circuits, and also the coupling between them, decrease of Q and increase of coupling increasing the off-tune frequencies of the maxima. If E_1 remains constant the numerical difference between the voltage vectors E_{D1} and E_{D2} is never linearly proportional to the off-tune or frequency deviation of the carrier. The difference is always less than required and the characteristic is curved as shown by curve 1 in Fig. 33. If, however, E_1 is allowed to increase as the off-tune frequency is increased, it increases the voltage difference between D_1 and D_2 cathodes, and results in a more linear discriminator characteristic.

A detailed analysis of the phase discriminator can be found elsewhere ⁴⁰ but the formulae involved are as follows :

The diode voltages are—

$$E_{D1} = \frac{g_m E_s R_{D1} \left[1 + j Q_2 \left(\frac{2\Delta f}{f_c} + \frac{k}{2} \sqrt{\frac{L_2}{L_1}} \right) \right]}{\left(1 + j Q_1 \frac{2\Delta f}{f_c} \right) \left(1 + j Q_2 \frac{2\Delta f}{f_c} \right) + Q_1 Q_2 k^2} \quad \dots \quad (26a)$$

where g_m =mutual conductance of the valve preceding the discriminator.

R_{D1} =resonant impedance of the primary when not coupled to the secondary.

Q_1, Q_2 =overall magnification of primary and secondary circuits.

Δf =off-tune frequency from f_c .

$k = \frac{M}{\sqrt{L_1 L_2}}$ =coupling coefficient.

L_1, L_2 =inductance of primary and secondary coils.

$$E_{D2} = \frac{g_m E_s R_{D1} \left[1 + j Q_2 \left(\frac{2\Delta f}{f_c} - \frac{k}{2} \sqrt{\frac{L_2}{L_1}} \right) \right]}{\left(1 + j \frac{Q_1 2\Delta f}{f_c} \right) \left(1 + j \frac{Q_2 2\Delta f}{f_c} \right) + Q_1 Q_2 k^2} \quad \dots \quad (26b)$$

The reversal of sign before the k term in the numerator is the only difference between E_{D2} and E_{D1} . The slope of the composite discriminator characteristic curve in Fig. 29b at the central frequency f_c is obtained by differentiating $2E_{D1}^\dagger$ with respect to Δf and then putting $\Delta f=0$.

$$S_f = f_c = \frac{2 g_m E_g R_{D1} Q^2 k \sqrt{\frac{L_2}{L_1}}}{f_c \left(1 + Q_1 Q_2 k^2 \right) \left(1 + \frac{Q_2^2 k^2 L_2}{4L_1} \right)^{\frac{1}{2}}} \quad \dots \quad \dots \quad (27a)$$

or assuming $Q_1=Q_2$.

$$S_f = f_c = \frac{2 g_m E_g R_{D1} Q^2 k \sqrt{\frac{L_2}{L_1}}}{f_c \left(1 + Q^2 k^2 \right) \left(1 + \frac{Q^2 k^2 L_2}{4L_1} \right)^{\frac{1}{2}}} \quad \dots \quad \dots \quad \dots \quad (27b)$$

Maximum range of linearity of characteristic does not give maximum slope, and optimum design, taking both factors into consideration, is given by

$$\frac{L_2}{L_1} = 1.77, Qk = 1.5, \frac{E_2}{E_1} \text{ (at resonance) } = 2$$

Replacing the above values in expression 27b we get conversion efficiency

$$\begin{aligned} &= \frac{2 g_m E_g R_{D1} \eta_a Q 1.5 \sqrt{1.77}}{f_c \left(1 + 1.5^2 \right) \left(1 + \frac{1.5^2 \times 1.77}{4} \right)^{\frac{1}{2}}} \\ &= 0.868 \frac{g_m E_g R_{D1} \eta_a Q}{f_c} \end{aligned}$$

and the range of off-tune frequency over which the characteristic is linear is from 0 to $\pm 0.4 \frac{f_c}{Q}$. Distortion is not excessive if the range is extended to $\pm 0.5 \frac{f_c}{Q}$. To illustrate design features, let us assume that $f_c=4.5$ Mc/s, $g_m=2$ mA/volt, $E_g=1$ volt peak, $\eta_a=0.85$, $R_3=0.1$ M Ω , and that the frequency deviation of ± 100 kc/s is accommodated over the range 0 to $\pm 0.5 \frac{f_c}{Q}$.

$$\text{Then } Q = \frac{0.5 \times 4.5 \times 10^3}{0.1 \times 10^3} = 22.5$$

$$k = \frac{1.5}{Q} = 0.066.$$

\dagger The slope of the composite curve is twice the slope of the E_{D1} or E_{D2} frequency curve.

For maximum conversion efficiency R_{D1} requires to be as high as possible, which means the highest value of L_1 is needed; but L_1 is limited by L_2 , the maximum value of which is determined by the minimum value of C_2 . Assuming the latter to be $50\mu\text{F}$:

$$L_2=25 \mu\text{H}, L_1=14.1 \mu\text{H}, C_1=88.5 \mu\mu\text{F},$$

$$M=k \sqrt{L_1 L_2}=1.252 \mu\text{H}, \text{ and } R_{D1}=\omega_c, L_1 Q=9000\Omega.$$

Hence conversion efficiency

$$\frac{0.868 \times 2 \times 10^{-3} \times 9000 \times 0.85 \times 22.5}{4.5 \times 10^3}$$

$$=0.0665 \text{ volts per 1 kc/s off-tune per 1 volt peak input.}$$

The discriminator output voltage-frequency characteristic for the above component values is shown in Fig. 32.

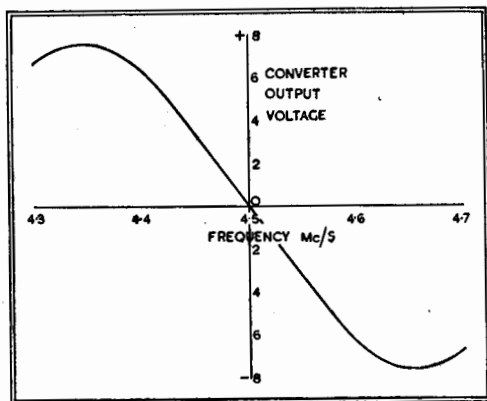


Fig. 32. Voltage-Frequency characteristic for phase discriminator of optimum design.

In calculating the damping resistances required to give the final Q of 22.5 to primary and secondary circuits we must note that damping of the primary is produced by the conduction current of both diodes, *i.e.*, the damping due to this cause is from $R_3/2$, in parallel with $R_3/2$, *i.e.*, $R_3/4$. Damping from diode conduction current across the secondary is equivalent to R_3 ; that from each half secondary

$R_3/2$ is stepped up due to the centre tap to $2R_3$ across the complete secondary, thus giving $2R_3$ in parallel with $2R_3$ or a total of R_3 for both diodes.

Correct alignment of the discriminator is not difficult when the effect of the various factors on the characteristic is understood. Primary tuning mainly affects the symmetry of the positive and negative halves of the characteristic, a primary resonant frequency less than f_c makes the lower frequency peak of greater amplitude than the higher. Secondary tuning controls the frequency of zero

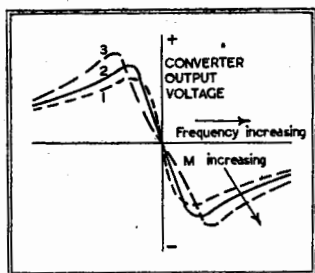


Fig. 33. Voltage-Frequency characteristic of a phase discriminator with increasing mutual inductance coupling

positive and negative maxima across the two resistances R_3 at approximately equal off-tune frequencies on either side of 4.5 Mc/s. The secondary is next adjusted to give zero volts across the same points at 4.5 Mc/s. Finally the mutual inductance is increased until equal positive and negative maxima are obtained at 4.35 and 4.65 Mc/s (these correspond to the off-tune frequency peaks in the curve of Fig. 32). The required linear characteristic should then be obtained.

Variation of mutual inductance coupling (Qk) causes the characteristic to pass through the phases illustrated by curves 1, 2 and 3 in Fig. 33. Curve 1 is obtained when Qk is less than unity (*i.e.*, less than critical), the linear range of the characteristic is restricted and

the peaks are close to off-tune frequencies of $\Delta f = \pm 0.5 \frac{f_c}{Q}$. Curve 2 illustrates the correct value of Qk (1.5) whilst curve 3 shows how linearity is lost when optimum value of Qk is exceeded, a double S-shaped characteristic being obtained. As Qk is increased the positive and negative peaks continue to increase in amplitude.

The output from the phase discriminator is connected *via* a radio frequency filter and, if necessary, a de-emphasising circuit attenuating the higher audio frequencies to the audio frequency amplifier. The latter should follow standard high fidelity practice with flat frequency response from 30 to 15,000 c.p.s. and low distortion. The design of such stages is well known and selected references are given in the Bibliography, 23, 24, 25, 26, 34.

Summarising the result of our examination of frequency modulation, we see that there are no inherent difficulties; in the case of the receiver, an amplitude limiter and frequency-amplitude converter are the only additions required to the ultra high frequency amplitude modulation counterpart, and these added complications are more than justified by the noise free high fidelity reception that is possible. We may therefore confidently expect that frequency modulation will play an important part in broadcast communication in England after the war, particularly for the sound channel of television programmes.

CHAPTER VII.

THE COMPLETE RECEIVER.

NO frequency modulated broadcast transmission has yet been sanctioned in this country, and the circuit diagram of the frequency modulation receiver should be regarded only as a prototype, for the author has had no opportunity of carrying out exhaustive tests upon it with standard transmissions.

The circuit diagram is in the nature of a summary of the design procedure outlined in the previous chapters, and to complete the analysis the method of calculating the component values is briefly indicated below. The receiver is assumed to have preset signal circuits, tuned to a central frequency of 45 Mc/s, and having a pass band from 43 to 47 Mc/s. An intermediate frequency of 4.5 Mc/s is employed.

I. The Aerial Input Circuit.

The details of the aerial input circuit are as follows:—

Radiation resistance of dipole aerial	=80 Ω
Characteristic impedance of the feeder to match with the aerial	=80 Ω
Total inductance of the centre tapped coil L_1 (any suitable value preferably less than L_2 may be chosen)	=0.28 μ H
Total capacitance across the secondary coil; this is the sum of C_1 , the valve, wiring, and coil self capacitances. (20 $\mu\mu$ F is suggested in Chapter IV, but this is too low for the high g_m R.F. valve, Z62, which has a high input capacitance)	=30 $\mu\mu$ F
Total inductance of the secondary coil, L_2	=0.416 μ H.
Undamped Q of the secondary circuit, Q_o	=150
Grid input resistance (R_{s1}) of the R.F. valve, Z62, at 45 Mc/s	=3,000 Ω
Total equivalent series resistance R'_s of the secondary circuit, including the valve grid input resistance	=0.785+4.62
$= \frac{\omega L_2}{Q_o} + \frac{\omega^2 L_2^2}{R_{s1}}$	=5.405 Ω
The Q of the secondary circuit damped by the valve resistance R_{s1}	$= \frac{\omega L_2}{5.405}$ =21.75

Optimum coupling between the feeder and secondary circuit calls for the following value of mutual inductance M_1 ⁴⁴ between L_1 and L_2 .

$$M_1 = \frac{Z_{a1}}{\omega} \sqrt{\frac{R'_{2s}}{R_{a1}}}$$

where Z_{a1} = total impedance of the primary circuit = $\sqrt{R_{a1}^2 + X_{a1}^2}$ and R_{a1} = characteristic impedance of the feeder

$$X_{a1} = \omega L_1 = 6.28 \times 45 \times 0.28 = 79\Omega.$$

$$\therefore Z_{a1} = \sqrt{80^2 + 79^2} = 112.3\Omega.$$

$$\therefore M_1 = \frac{112.3}{6.28 \times 45} \sqrt{\frac{5.405}{80}} = 0.104 \mu\text{H}.$$

If the coils L_1 and L_2 are wound on a half-inch diameter former with 16 S.W.G. at 10 turns per inch, the total number of turns is approximately 4 and 6 respectively.

Owing to optimum coupling the overall Q of the tuned secondary circuit is halved, *i.e.*, is 10.87, so that the band width (over which the loss does not exceed 2db) is

$$\Delta f = \pm f_r / 2Q = \pm \frac{45}{21.75} = \pm 2.07 \text{ Mc/s.}$$

and this satisfies the requirement for preset signal tuning.

Optimum coupling gives a voltage step up from the feeder to grid of V_1 and the expression⁴⁴ is

$$\text{Amplification} = \frac{M_1}{2C_{1r}Z_{a1}R'_{2s}} = \frac{0.104 \times 10^{-6}}{2 \times 30 \times 10^{-12} \times 112.3 \times 5.405} = 2.85$$

A.G.C. is not applied to V_1 since change of signal grid bias affects the grid input resistance and capacitance, thus varying the band width and tuning of the secondary circuit. There is a decrease of about $4 \mu\mu\text{F}$ in the grid input capacitance from normal to maximum negative bias, and the operating input capacitance is of the order of $15 \mu\mu\text{F}$. Wiring and coil (L_2) self capacitance account for about $5 \mu\mu\text{F}$ so that capacitance C_1 requires to be about $10 \mu\mu\text{F}$.

2. The Anode Circuit of the R.F. Valve V_1 .

The preset signal circuit leading to the frequency changer may be inserted in the anode of the R.F. valve, and coupled by capacitance and grid leak to the grid of V_2 . This has the advantage of simplicity and generally highest stage gain from the grid of V_1 to the grid of V_2 , but it has the serious disadvantage of high "stray" capacitance, since there are two valve capacitances (from V_1 and V_2) across the tuned circuit. This can be mitigated by using a smaller inductance for the signal coil, or by using transformer coupling. The

former is the simpler solution, for it is difficult to obtain a very high mutual inductance between the primary and secondary of the transformer. Thus the value of L_3 is selected to be $0.28 \mu\text{H}$, which gives a tuning capacitance of $44.5 \mu\mu\text{F}$. Of this total, approximately $15 \mu\mu\text{F}$ is contained in the grid input capacitance of the frequency changer, $10 \mu\mu\text{F}$ in the anode output capacitance of the R.F. valve, and $5 \mu\mu\text{F}$ in stray and coil self capacitance, leaving a capacitance for C_4 of approximately $15 \mu\mu\text{F}$. The resistance R_4 is the grid leak of the frequency changer valve, and it also acts as the damping resistance for providing the wide pass band. Its value is calculated as follows: we will assume that the undamped circuit Q_o is 150, as for the aerial circuit, that the frequency changer grid input resistance is the same as that of the R.F. valve, viz., $3,000 \Omega$ (this is very nearly so because the valve is a hexode), and that the internal slope resistance of the R.F. valve can be neglected. The overall Q_a of the damped circuit is therefore given by

$$Q_a = \frac{\omega L_3}{\omega L_3 / Q_o + (\omega L_3)^2 / 3,000} = \frac{1}{1/Q_o + \omega L_3 / 3,000} = \frac{1}{.0066 + .0263} = 30.4$$

To reduce Q to $Q_r = 11.25$, the value required for a pass-band of $\pm 2 \text{ Mc/s}$, the resistance R_4 is

$$R_4 = \frac{\omega L_3 \cdot Q_a \cdot Q_r}{Q_a - Q_r} = \frac{79 \times 30.4 \times 11.25}{19.15} = 1410 \Omega.$$

The mutual conductance of the R.F. valve, Z62, is 7.5 mA/volt , and the resultant dynamic impedance of the anode tuned circuit is $\omega L_3 Q_r = 890 \Omega$.

The amplification from the grid of V_1 to the grid of $V_2 = 7.5 \times 10^{-3} \times 890 = 6.67$

3. The Oscillator Circuit.

A separate triode valve is employed as it is generally more stable and easier to maintain in oscillation than the triode section of the triode-hexode. The anode of the triode section of V_2 is returned to cathode. The electron coupled form of oscillator is employed because it is easy to oscillate, negative feedback, due to the portion of the tuning coil between cathode and earth, assists amplitude and frequency stability, and one side of the tuning capacitance, C_{15} , can be earthed. The inductance of the coil L_6 is $0.416 \mu\text{H}$, and the cathode tapping on this 6 turn coil occurs at approximately 2 turns up from the earthed end. The tuning capacitance is made up of the grid input capacitance of V_2 and V_3 (about $17 \mu\mu\text{F}$), wiring and coil self capacitance (about $5 \mu\mu\text{F}$), the fixed capacitor C_{13} ($7 \mu\mu\text{F}$), and the series combination of C_{14} and C_{15} . C_{14} is a fixed capacitor of $30 \mu\mu\text{F}$ restricting the range of C_{15} , a variable air dielectric capacitor with ceramic insulating supports and a maximum and minimum

value of 20 and $5 \mu\mu\text{F}$ respectively. The oscillator frequency—in order to obtain greatest stability—is selected to be lower than the signal frequency, and variation of C_{15} then covers the desired frequency range from 38.5 to 42.5 Mc/s.

Constant H.T. supply is an essential requirement for frequency stability and two decoupling capacitors are used from the anode of V_3 to earth. C_{17} bypasses radio frequencies and C_{18} any audio or hum voltages in the H.T. supply. Better H.T. regulation can be obtained with a gas filled device such as a neon tube (shown dotted in the diagram), and then C_{18} becomes unnecessary. R_{12} must be reduced to about $10,000\Omega$.

4. Intermediate Frequency Amplification.

Details of the design of the intermediate frequency amplifier were given in Chapter V. We will only state the values of the inductances and capacitances, and show the method of calculating the damping resistances required to provide the band width of ± 100 kc/s at the intermediate frequency of 4.5 Mc/s.

(a) *The first I.F. transformer in the anode of the frequency changer valve V_2 .*

Total inductance of primary or secondary (L_4 and L_5) = $25 \mu\text{H}$.

Total capacitance of primary or secondary = $50 \mu\mu\text{F}$.

Required Q for ± 100 kc/s band width = 22.5.

Mutual inductance between L_4 and L_5 , M_2 = $1.11 \mu\text{H}$.

If the initial Q of the undamped primary or secondary is $Q_0 = 150$, the equivalent parallel resistance of either circuit is $\omega L_4 Q_0 = 106,000\Omega$ —assuming the grid input resistance of the next valve V_4 can be neglected.

The extra damping resistance (R_8 and R_{10}) required

$$= \frac{106,000 Q_T}{Q_0 - Q_T} = \frac{106,000 \times 22.5}{150 - 22.5} = 18,700\Omega.$$

The amplification of the frequency changer V_2 , when $g_c = 0.3$ mA/volt.

$$= \frac{g_c \omega L_4 22.5}{2} = 2.385$$

A.G.C. is not applied to the frequency changer valve V_2 because variation of signal grid bias varies the input resistance and capacitance of the signal and oscillator grids, causing variation of tuning and damping and, most serious of all, change of oscillator frequency.

(b) *The second I.F. Transformer.*

This is an overcoupled transformer ($Qk=2$) with nearly twice the Q of the transformer in the frequency changer anode circuit. The

inductance and capacitance values are the same as for the first transformer.

The required $Q=40.5$.

Mutual inductance between L_7 and L_8 , $M_3=1.235 \mu\text{H}$.

Extra damping resistance =

$$(R_{15} \text{ and } R_{19}) = \frac{\omega L_7 Q_o Q_{1T}}{Q_o - Q_{1T}} = \frac{106,000 \times 40.5}{150 - 40.5} = 39,200\Omega.$$

The double humped frequency response of this transformer has a trough at 4.5 Mc/s, 2 db below the peak, hence the amplification of valve V_4 at 4.5 Mc/s

$$\begin{aligned} &= \frac{g_m \omega L_7 Q_T}{2 \times 1.26} \\ \text{[KTW63, } g_m &= 1.5 \text{ mA/volt, } -2\text{db} = 1/1.26] \\ &= \frac{1.5 \times 10^{-3} \times 28,700}{2.52} = 17.1 \end{aligned}$$

A.G.C. is applied to the valve V_4 , as the input resistance and capacitance change resulting from signal grid bias variation is designed to be small. The A.G.C. decoupling capacitance C_{19} is smaller than its counterpart in the amplitude modulation receiver since undesired amplitude change of the frequency modulated carrier, when fed back along the A.G.C. line, tends to cancel the amplitude variation of the carrier. It is in fact a form of negative feedback.

(c) *The isolator stage.*

An isolator stage is necessary in the I.F. amplifier to reduce the regenerative and degenerative effect of the anode-grid capacitance of the I.F. valves. Its single tuned circuit component values are:—

Total inductance $L_9=19.4 \mu\text{H}$.

Total capacitance= $64.5 \mu\mu\text{F}$.

Required dynamic resistance of circuit= $12,320\Omega$.

Extra damping resistance R_{25}

$$= \frac{\omega L_9 Q_o \times 12,320}{\omega L_9 Q_o - 12,320} = \frac{82,000 \times 12,320}{69,680} = 14,500\Omega$$

Amplification of valve V_5 (KTW63)

$$= g_m R_D = 1.5 \times 10^{-3} \times 12,320 = 18.5$$

(d) *The last I.F. amplifier stage.*

This is identical with the first amplifier stage (valve V_4 and the second I.F. transformer), except that the limiter stage which follows, reflects a load on to the secondary of the transformer, necessitating an increase in the secondary damping resistance R_{34} .

Damping due to grid current in the limiter valve V_7 can be taken as half the D.C. load resistance, viz., $\frac{1}{2}R_{33}=50,000\Omega$.

The required total secondary damping resistance = $39,200\Omega$.

$$\begin{aligned} &\text{Extra damping resistance } R_{34} \\ &= \frac{39,200 \times 50,000}{50,000 - 39,200} = 182,000\Omega. \end{aligned}$$

(e) *The limiter stage.*

The resistance R_{33} and capacitance C_{37} provide self bias for the limiter valve V_7 , which takes grid current. The combination of grid current bias and low anode and screen voltage provides the limiting action to suppress amplitude modulation. The resistances R_{35} and R_{36} act as a potentiometer to reduce screen and anode voltages to approximately 40 volts. C_{39} is a large decoupling capacitor ($8\mu\text{F}$) to bypass the low frequency components of any amplitude modulation present at the grid of the limiter valve.

The limiter anode circuit contains the phase discriminator for changing the frequency modulation into amplitude modulation.

Details of the component values for the phase discriminator have been given in the last chapter, and were as follows:—

Inductance of the primary $L_{12}=14.1\mu\text{H}$.

Inductance of the secondary $L_{13}=25\mu\text{H}$.

Capacitance of the primary $C_{40}=88.5\mu\mu\text{F}$.

Capacitance of the secondary $C_{42}=50\mu\mu\text{F}$.

Q of primary and secondary = 22.5.

Mutual inductance between L_{12} and L_{13} , $M_5=1.252\mu\text{H}$.

Heavy damping is required across the primary and secondary in order to obtain a final Q of 22.5, and in the circuit diagram R.F. choke coupling (as shown in Fig. 30) is dispensed with, the centre point of the secondary being connected to the junction of the diode load resistances R_{39} and R_{40} , and a single capacitance C_{43} being used from one diode cathode to the other. The primary circuit is therefore damped by the two load resistances in parallel as well as the diode conduction current, *i.e.*, there is a total damping resistance of $\frac{1}{6}R_{39}$ ($16,666\Omega$). If $Q_o=150$, to reduce the overall Q to 22.5 requires a total damping resistance of

$$\frac{\omega_c L_{12} \times 150 \times 22.5}{150 - 22.5} = 10,600\Omega$$

so that the additional damping resistance required is

$$R_{37} = \frac{16,666 \times 10,600}{6,066} = 29,200\Omega$$

The damping resistance across the secondary is that due to conduction current only, viz., $0.1M\Omega$. The total damping resistance to reduce Q from 150 to 22.5 is

$$\frac{\omega_c L_{13} \times 150 \times 22.5}{127.5} = 18,800\Omega$$

so that

$$R_{38} = \frac{100,000 \times 18,800}{81,200} = 23,100\Omega$$

5. The Detector Stage.

Little comment is needed on the detector stage, the resistance R_{41} and capacitance C_{44} act as an R.F. filter between the detector output and first A.F. valve. If pre-emphasis (increased amplification of the high audio frequencies contained in the modulation) is used at the transmitter, C_{44} is increased to .0005 μ F in order to obtain de-emphasis at the receiver.

6. The Audio Frequency Amplifier.

The push-pull output stage necessitates either a transformer, with a centre tapped secondary, in the output of the A.F. Valve, or an extra phase reversing valve. The latter method is adopted in this receiver on the score that RC coupling gives better frequency response than transformer coupling.

The second A.F. amplifier valve, V_{11} , acts simply as a phase reverser, and its input voltage is derived from a potentiometer across the output of the first valve V_{10} . The degree of tapping-down is equal to the amplification of V_{10} , and the resistances R_{49} and R_{50} are calculated as follows:—

$$\text{Slope Resistance of } V_{10} \text{ (H63)} = 66,000\Omega.$$

$$\text{Amplification factor} = 100.$$

$$\text{Stage gain of } V_{10} = \frac{100 \times 100,000}{100,000 + 66,000} = 60.$$

$$\text{Ratio of } \frac{R_{50}}{R_{49} + R_{50}} = 1/60.$$

In the circuit diagram R_{50} is 10,000 Ω and variable, so that a maximum ratio of 1/51 is obtainable. The correct position on R_{50} can be found by inserting a transformer in the H.T. lead from the centre tap of the output transformer primary. Phones across the secondary of the first tapping transformer in the H.T. lead give minimum volume when the tapping point on R_{50} is correctly adjusted.

7. The Output Stage.

This uses two tetrodes (KT66), triode connected, to act as push-pull triode valves. The resistances R_{52} and R_{53} , in the screen circuits, guard against high frequency parasitic oscillation, to which push-pull circuits are often very prone. A common bias resistance equal to $\frac{1}{2}R_{54}$ may be used for the two valves if desired, and this has

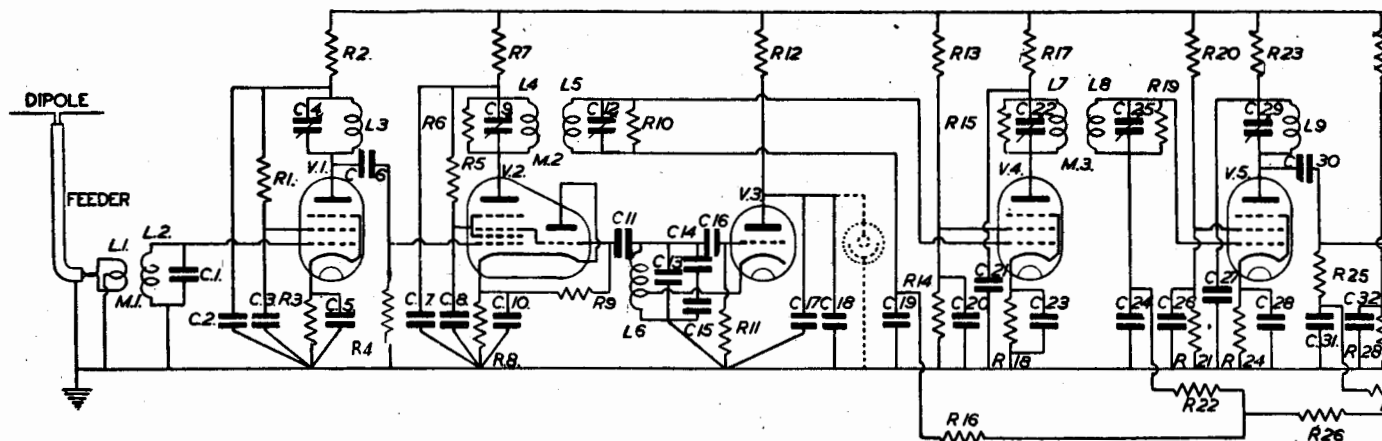
the advantage of reducing hum and audio frequency negative feedback in the cathode circuit. The disadvantage is that independent bias adjustment for matching the valves is not possible. If separate bias resistances are used, matching is performed by adjusting one bias resistance to give minimum volume in phones connected to a transformer in the H.T. lead to the centre tap of the output transformer.

The anode-to-anode load for the two KT66 valves in push-pull is $2,500\Omega$, so that a step-down transformer ratio of approximately 13 to 1 is required if the loudspeaker speech coil impedance is 15 ohms.

BIBLIOGRAPHY.

- 1 "Notes on the Theory of Modulation." J. R. Carson, *Proc. I.R.E.*, February, 1922, p. 57.
- 2 "Frequency Modulation." B. Van der Pol, *Proc. I.R.E.*, July, 1930, p. 1194.
- 3 "Frequency Modulation and Distortion." T. L. Eckersley, *Wireless Engineer*, September, 1930, p. 482.
- 4 "Note on the Relationships existing between Radio Waves Modulated in Frequency and Amplitude." C. H. Smith, *Wireless Engineer*, November, 1930, p. 609.
- 5 "Amplitude, Phase and Frequency Modulation." H. Roder, *Proc. I.R.E.*, December, 1931, p. 2145.
- 6 "The Reception of Frequency Modulated Radio Signals." V. J. Andrews, *Proc. I.R.E.*, May, 1932, p. 835.
- 7 "Amplitude, Phase and Frequency Modulation." H. R. Roder, Discussion, *Proc. I.R.E.*, May, 1932, p. 887.
- 8 "Two Element Band Pass Filters." R. T. Beatty, *Wireless Engineer*, October, 1932, p. 546.
- 9 "A New Electrical Method of Frequency Analysis and its Application to Frequency Modulation." W. L. Barrow, *Proc. I.R.E.*, October, 1932, p. 1626.
- 10 "Transmission Lines as Frequency Modulators." A. V. Eastman and E. D. Scott, *Proc. I.R.E.*, July, 1934, p. 878.
- 11 "The Detection of Frequency Modulated Waves." J. G. Chaffee, *Proc. I.R.E.*, May, 1935, p. 517.
- 12 "Variable Selectivity and the I.F. Amplifier." W. T. Cocking, *Wireless Engineer*, March, April and May, 1936, pp. 119, 179 and 237.
- 13 "A Method of Reducing Disturbances in Radio Signalling by a System of Frequency Modulation." E. H. Armstrong, *Proc. I.R.E.*, May, 1936, p. 689.
- 14 "Frequency Modulation Propagation Characteristics." M. G. Crosby, *Proc. I.R.E.*, June, 1936, p. 898.
- 15 "Mutual Inductance." J. Greig, *Wireless Engineer*, July, 1936, p. 362.
Also Editorial Note to Letter, March, 1937, p. 126.
- 16 "Short Wave Oscillator Problems." W. T. Cocking, *Wireless World*, February 9th, 1937, p. 127.
- 17 "Frequency Multiplication and Division." H. Sterky, *Proc. I.R.E.*, September, 1937, p. 1153.
- 18 "Armstrong's Frequency Modulator." D. L. Jaffe, *Proc. I.R.E.*, April, 1938, p. 475.
- 19 "Theory of the Discriminator Circuit for A.F.C." H. Roder, *Proc. I.R.E.*, May, 1938, p. 590.
- 20 "Communication by Phase Modulation." M. G. Crosby, *Proc. I.R.E.*, February, 1939, p. 126.
- 21 "Television Sound Adaptor." *Wireless World*, March 2nd, 1939, p. 207.
- 22 "Input Resistance of R.F. Receiving Valves." G. Grammer, *Q.S.T.*, May, 1939, p. 41.
- 23 "High Quality Electric Gramophone." M. G. Scroggie, *Wireless World*, May 11th, 1939, p. 433.
- 24 "A Receiver for Frequency Modulation." J. R. Day, *Electronics*, June, 1939, p. 32.
- 25 "A Noise Free Radio Receiver." G. W. Tyler and J. A. Worcester, *General Electric Review*, July, 1939, p. 307.
- 26 "The *Wireless World* Preset Quality Receiver." *Wireless World*, August 17th, 1939, p. 140.
- 27 "Simple Television Antennas." P. S. Carter, *R.C.A. Review*, October, 1939, p. 168.
- 28 "Television Signal Frequency Circuits." G. Mountjoy, *R.C.A. Review*, October, 1939, p. 204.
- 29 "Frequency or Phase Modulation." Editorial Note, *Wireless Engineer*, November, 1939, p. 547.

- 30 "The Service Range of Frequency Modulation." M. G. Crosby, *R.C.A. Review*, January, 1940, p. 349.
- 31 "Input Conductance." F. Preisach and I. Zakarias, *Wireless Engineer*, April, 1940, p. 147.
- 32 "Ultra Short Wave Aerial Systems." F. R. N. Strafford, *Wireless World*, April, 1940, p. 224.
- 33 "A Method of Measuring Frequency Deviation." M. G. Crosby, *R.C.A. Review*, April, 1940, p. 473.
- 34 "Frequency Modulation Receiver Design." R. F. Shea, *Communication*, June, 1940, p. 17.
- 35 "A Combined Television and All Wave Sound Aerial." *Electronics, Television and Short Wave World*, July, 1940, p. 328.
- 36 "Ultra High Frequency Oscillator Stability." S. W. Seeley and E. I. Anderson, *R.C.A. Review*, July, 1940, p. 77.
- 37 "Reactance Tube Frequency Modulators." M. G. Crosby, *R.C.A. Review*, July, 1940, p. 89.
- 38 "Designing a Wide Range U.H.F. Receiver." F. W. Schor, *Q.S.T.*, August, 1940, p. 34.
- 39 "Amplitude, Frequency and Phase Angle Modulation." Editorial, *Wireless Engineer*, August, 1940, p. 339.
- 40 "N.B.C. Frequency Modulation Field Tests." R. F. Guy and R. M. Morris, *R.C.A. Review*, October, 1940, p. 190.
- 41 "A New Broadcast Transmitter Circuit Design for Frequency Modulation." J. F. Morrison, *Proc. I.R.E.*, October, 1940, p. 444.
- 42 "Two Signal Cross Modulation in a Frequency Modulation Receiver." H. A. Wheeler, *Proc. I.R.E.*, December, 1940, p. 537.
- 43 "Band Width and Readability." M. G. Crosby, *R.C.A. Review*, January, 1941, p. 363.
- 44 "Receiver Aerial Coupling Circuits." K. R. Sturley, *Wireless Engineer*, April (p. 137), May (p. 190), 1941.
- 45 "Broadcast Receivers: A Review." N. M. Rust, O. E. Keall, J. F. Ramsay, K. R. Sturley, *Journal I.E.E.*, Part III, June, 1941, p. 59.
- 46 "The Design of Television Receiving Apparatus." B. J. Edwards, *Journal I.E.E.*, Wireless Section, September, 1941, p. 191.
- 47 "An Inductively Coupled Frequency Modulator." B. E. Montgomery, *Proc. I.R.E.*, October, 1941, p. 559.
- 48 "A Stabilised Frequency Modulation System." R. J. Pieracci, *Proc. I.R.E.*, February, 1942, p. 76; March, 1942, p. 151.
- 49 "The Phase Discriminator." K. R. Sturley, *Wireless Engineer*, February, 1943, p. 72.
- 50 "Theory and Design of Valve Oscillators." H. A. Thomas (Book), Chapman and Hall.
- 51 *The Amateur Radio Handbook*, Chapter 12, p. 173. Second edition.
- 52 *Radio Receiver Design*, Part I. K. R. Sturley (Book), Chapman and Hall.
- 53 *Radio Receiver Design*, Part II. K. R. Sturley (Book), shortly to be published.



A TYPICAL FREQUENCY MODULATION RECEIVER

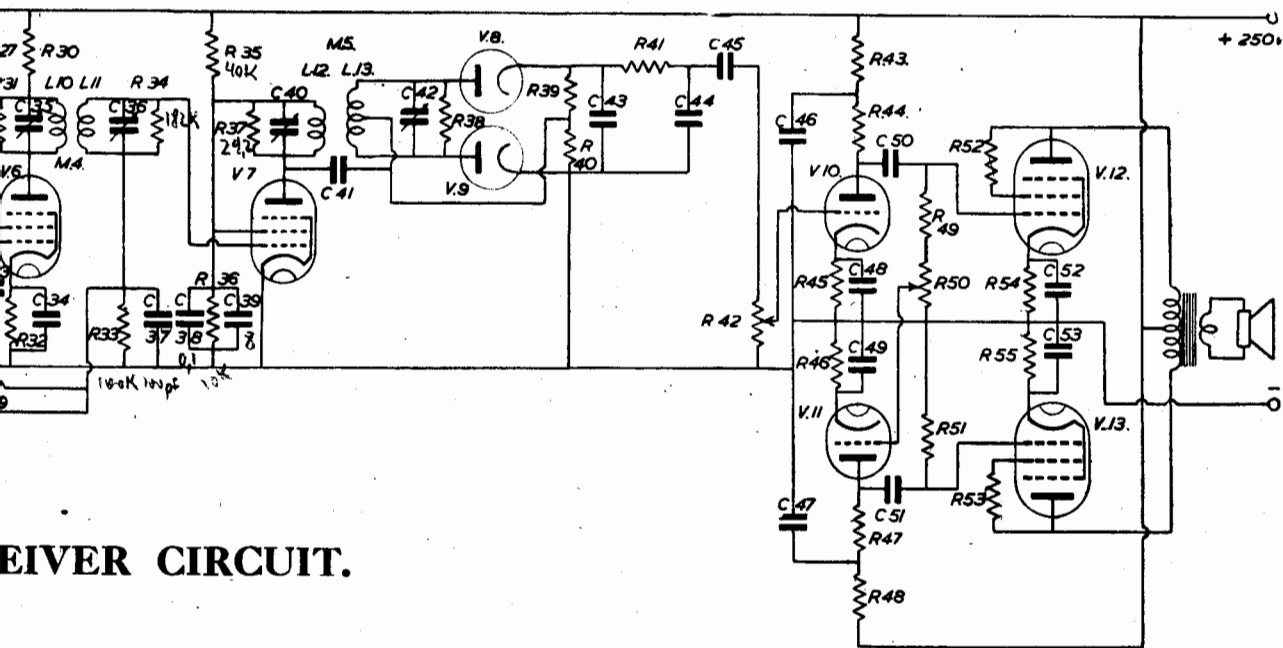
Values of Components

(Resistances in ohms).

R 1	50,000	R20	30,000	R38	23,100
R 2	1,000	R21	20,000	R39	0.1 meg.
R 3	200	R22	0.1 meg.	R40	0.1 meg.
R 4	1,410	R23	1,000	R41	0.2 meg.
R 5	25,000	R24	300	R42	0.5 meg. (var.)
R 6	18,700	R25	14,500	R43	10,000
R 7	1,000	R26	0.25 meg.	R44	0.1 meg.
R 8	250	R27	30,000	R45	2,000
R 9	50,000	R28	20,000	R46	2,000
R10	18,700	R29	0.25 meg.	R47	0.1 meg.
R11	50,000	R30	1,000	R48	10,000
R12	30,000	R31	39,200	R49	0.5 meg.
R13	30,000	R32	300	R50	10,000 (var.)
R14	20,000	R33	0.1 meg.	R51	0.5 meg.
R15	39,200	R34	182,000	R52	100
R16	0.1 meg.	R35	40,000	R53	100
R17	1,000	R36	10,000	R54	180
R18	300	R37	29,200	R55	180
R19	39,200				

Capacitances

C 1	10 μ F (approx.)	C19	
C 2	0.01 μ F	C20	
C 3	0.01 μ F	C21	
C 4	15 μ F (approx.)	C22	
C 5	0.01 μ F		
C 6	100 μ F	C23	
C 7	0.01 μ F	C24	
C 8	0.01 μ F	C25	
C 9	20 μ F (fixed) and 30 μ F (max. variable, air)	C26	
C10	0.01 μ F	C27	
C11	10 μ F	C28	
C12	20 μ F (fixed) and 30 μ F (max., variable, air)	C29	
C13	7 μ F	C30	
C14	30 μ F	C31	
C15	20 μ F (max., variable, air)	C32	
C16	50 μ F	C33	
C17	0.01 μ F	C34	
C18	16 μ F (electrolytic)	C35	



REIVER CIRCUIT.

.001 μF
 0.1 μF
 0.1 μF
 20 μF (fixed) and
 30 μF (max., variable, air)
 0.1 μF
 0.001 μF
 20 μF (fixed) and
 30 μF (max., variable, air)
 0.1 μF
 0.1 μF
 0.1 μF
 0.1 μF
 30 μF (fixed) and
 30 μF (max., variable, air)
 20 μF
 .001 μF
 0.1 μF
 0.1 μF
 0.1 μF
 0.1 μF
 20 μF (fixed) and
 30 μF (max., variable, air)

C36 20 μF (fixed) and
 30 μF (max., variable, air)
 C37 100 μF
 C38 0.1 μF
 C39 8 μF (electrolytic)
 C40 70 μF (fixed) and
 30 μF (max., variable, air)
 C41 50 μF
 C42 30 μF (fixed) and
 30 μF (max., variable, air)
 C43 50 μF
 C44 100 μF
 C45 0.05 μF
 C46 2 μF
 C47 2 μF
 C48 25 μF (electrolytic)
 C49 25 μF (electrolytic)
 C50 0.05 μF
 C51 0.05 μF
 C52 25 μF (electrolytic)
 C53 25 μF (electrolytic)

Inductances (microhenries).

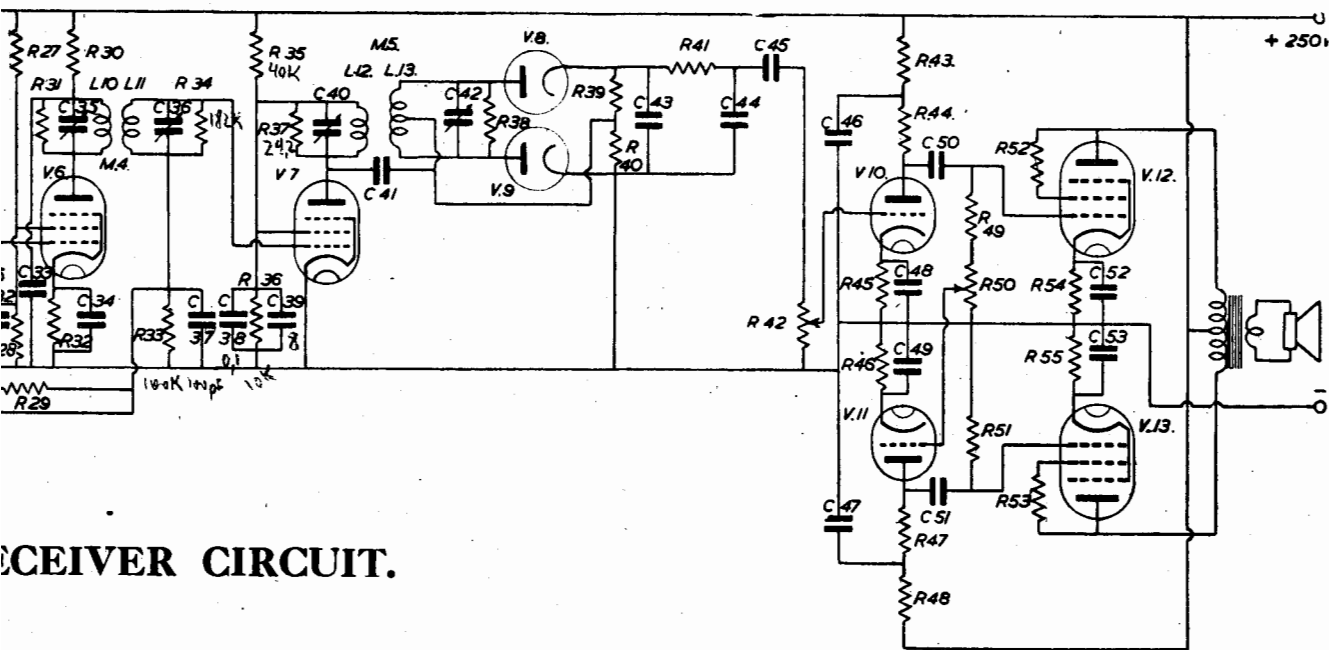
L 1 0.28
 L 2 0.416
 L 3 0.28
 L 4 25
 L 5 25
 L 6 0.416
 L 7 25
 L 8 25
 L 9 19.4
 L10 25
 L11 25
 L12 14.1
 L13 25

Mutual Inductances (microhenries).

M 1 0.104
 M 2 1.11
 M 3 1.235
 M 4 1.235
 M 5 1.252

Valves.

Valve	Type	Model
V 1	Marconi	Z62
V 2	"	X65
V 3	"	H63
V 4	"	KTW63
V 5	"	KTW63
V 6	"	KTW63
V 7	"	KTZ63
V 8	"	D63
V 9	"	D63
V10	"	H63
V11	"	H63
V12	"	KT66
V13	"	KT66



RECEIVER CIRCUIT.

19	.001 μ F
20	0.1 μ F
21	0.1 μ F
22	20 μ F (fixed) and 30 μ F (max., variable, air)
23	0.1 μ F
24	0.001 μ F
25	20 μ F (fixed) and 30 μ F (max., variable, air)
26	0.1 μ F
27	0.1 μ F
28	0.1 μ F
29	30 μ F (fixed) and 30 μ F (max., variable, air)
30	500 μ F
31	.001 μ F
32	0.1 μ F
33	0.1 μ F
34	0.1 μ F
35	20 μ F (fixed) and 30 μ F (max., variable, air)

C36	20 μ F (fixed) and 30 μ F (max., variable, air)
C37	100 μ F
C38	0.1 μ F
C39	8 μ F (electrolytic)
C40	70 μ F (fixed) and 30 μ F (max., variable, air)
C41	50 μ F
C42	30 μ F (fixed) and 30 μ F (max., variable, air)
C43	50 μ F
C44	100 μ F
C45	0.05 μ F
C46	2 μ F
C47	2 μ F
C48	25 μ F (electrolytic)
C49	25 μ F (electrolytic)
C50	0.05 μ F
C51	0.05 μ F
C52	25 μ F (electrolytic)
C53	25 μ F (electrolytic)

Inductances (microhenries).

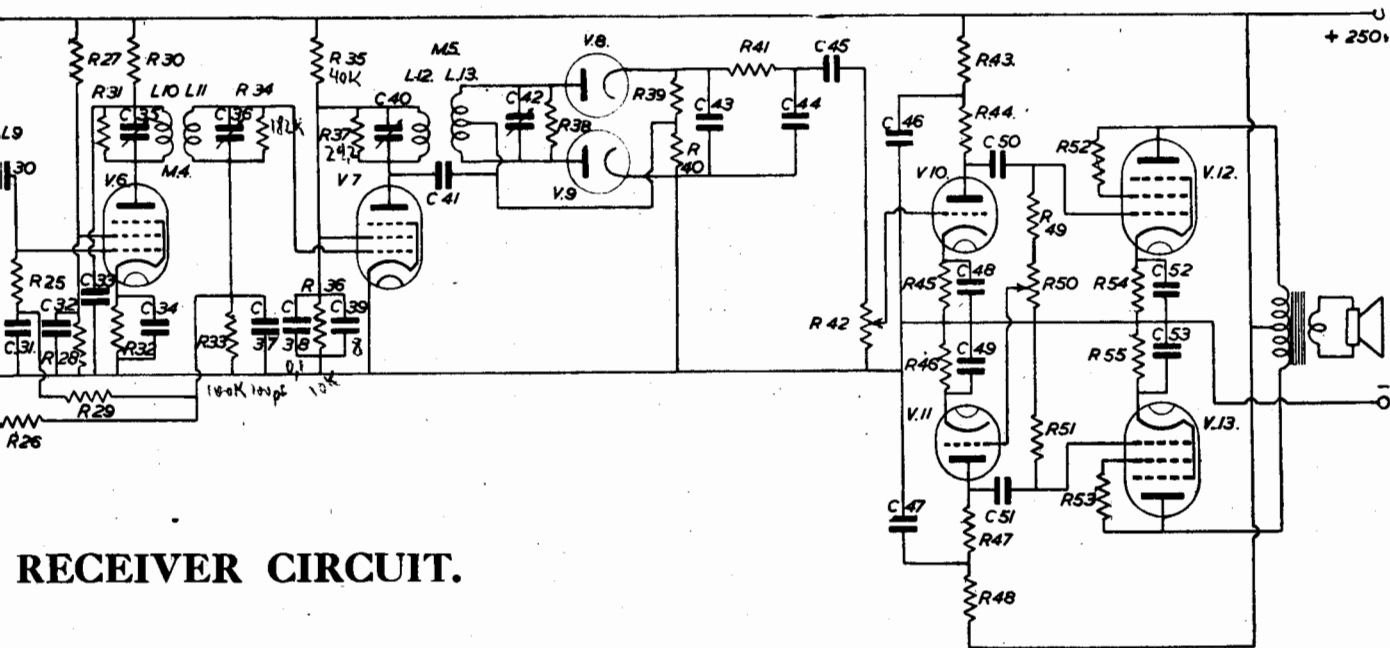
L 1	0.28
L 2	0.416
L 3	0.28
L 4	25
L 5	25
L 6	0.416
L 7	25
L 8	25
L 9	19.4
L10	25
L11	25
L12	14.1
L13	25

Valves.

V 1	Marconi	Z62
V 2	"	X65
V 3	"	H63
V 4	"	KTW63
V 5	"	KTW63
V 6	"	KTW63
V 7	"	KTZ63
V 8	"	D63
V 9	"	D63
V10	"	H63
V11	"	H63
V12	"	KT66
V13	"	KT66

Mutual Inductances (microhenries).

M 1	0.104
M 2	1.17
M 3	1.235
M 4	1.235
M 5	1.252



RECEIVER CIRCUIT.

ances

C19	.001 μ F
C20	0.1 μ F
C21	0.1 μ F
C22	20 μ F (fixed) and 30 μ F (max., variable, air)
C23	0.1 μ F
C24	0.001 μ F
C25	20 μ F (fixed) and 30 μ F (max., variable, air)
C26	0.1 μ F
C27	0.1 μ F
C28	0.1 μ F
C29	30 μ F (fixed) and 30 μ F (max., variable, air)
C30	500 μ F
C31	.001 μ F
C32	0.1 μ F
C33	0.1 μ F
C34	0.1 μ F
C35	20 μ F (fixed) and 30 μ F (max., variable, air)

C36	20 μ F (fixed) and 30 μ F (max., variable, air)
C37	100 μ F
C38	0.1 μ F
C39	8 μ F (electrolytic)
C40	70 μ F (fixed) and 30 μ F (max., variable, air)
C41	50 μ F
C42	30 μ F (fixed) and 30 μ F (max., variable, air)
C43	50 μ F
C44	100 μ F
C45	0.05 μ F
C46	2 μ F
C47	2 μ F
C48	25 μ F (electrolytic)
C49	25 μ F (electrolytic)
C50	0.05 μ F
C51	0.05 μ F
C52	25 μ F (electrolytic)
C53	25 μ F (electrolytic)

Inductances (microhenries).

L 1	0.28
L 2	0.416
L 3	0.28
L 4	25
L 5	25
L 6	0.416
L 7	25
L 8	25
L 9	19.4
L10	25
L11	25
L12	14.1
L13	25

Mutual Inductances (microhenries).

M 1	0.104
M 2	1.11
M 3	1.235
M 4	1.235
M 5	1.252

Valves.

V 1	Marconi	Z62
V 2	"	X65
V 3	"	H63
V 4	"	KTW
V 5	"	KTW
V 6	"	KTW
V 7	"	KTZ
V 8	"	D63
V 9	"	D63
V10	"	H63
V11	"	H63
V12	"	KT66
V13	"	KT66

