

TUNG-SOL

CATHODE RAY

THE 16Q4 IS A DIRECT-VIEW PICTURE TUBE DESIGNED FOR USE IN TELEVISION APPLICATIONS. ITS FEATURES INCLUDE:

UNIPOTENTIAL CATHODE	GREY FILTER FACEPLATE
MAGNETIC FOCUS & DEFLECTION	10 1/8" X 13 1/2" RASTER SIZE
RECTANGULAR GLASS CONSTRUCTION	EXTERNAL DOUBLE FIELD ION TRAP

ELECTRICAL DATA

FOCUSING METHOD		MAGNETIC
DEFLECTING METHOD		MAGNETIC
DEFLECTION ANGLE (APPROX.):		
HORIZONTAL	54.5	DEGREES
VERTICAL	50.8	DEGREES
DIAGONAL	70	DEGREES
DIRECT INTERELECTRODE CAPACITANCES (APPROX.):		
CATHODE TO ALL OTHER ELECTRODES	5	μf
GRID #1 TO ALL OTHER ELECTRODES	7	μf

OPTICAL DATA

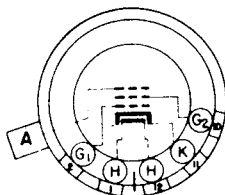
PHOSPHOR NUMBER	NO. 4
FLUORESCENT COLOR	WHITE
PHOSPHORESCENT COLOR	WHITE
PERSISTENCE	MEDIUM

MECHANICAL DATA

OVERALL LENGTH	19 1/8	INCHES
GREATEST DIMENSIONS OF BULB:		
DIAGONAL	16 1/8	INCHES
WIDTH	14 3/4	INCHES
HEIGHT	11 1/2	INCHES
MINIMUM USEFUL SCREEN DIMENSIONS:		
DIAGONAL	15	INCHES
WIDTH	13 19/32	INCHES
HEIGHT	10 3/16	INCHES
BULB CONTACT	RECESSED SMALL CAVITY CAP	J1-21
BASE	SMALL SHELL DUODECAL 5 PIN	B5-57
BASING		120

PIN CONNECTIONS

PIN 1 - HEATER
 PIN 2 - GRID NO. 1
 PIN 10 - GRID NO. 2



PIN 11 - CATHODE
 PIN 12 - HEATER
 ANODE CAP

BOTTOM VIEW

CONTINUED ON FOLLOWING PAGE

TUNG-SOL

CONTINUED FROM PRECEDING PAGE

RATINGS
 DESIGN CENTER VALUES

HEATER VOLTAGE	6.3	VOLTS
HEATER CURRENT	0.6	AMP.
MAXIMUM DC ANODE VOLTAGE	16 000	VOLTS
MAXIMUM DC GRID #2 VOLTAGE	410	VOLTS
MAXIMUM GRID #1 VOLTAGE:		
DC NEGATIVE-BIAS VALUE	125	VOLTS
DC POSITIVE-BIAS VALUE	0	VOLTS
POSITIVE-PEAK VALUE	2	VOLTS
MAXIMUM DC PEAK HEATER-CATHODE VOLTAGE:		
HEATER NEGATIVE WITH RESPECT TO CATHODE		
DURING WARM-UP PERIOD NOT TO EXCEED 15 SECONDS	410	VOLTS
AFTER EQUIPMENT WARM-UP PERIOD	125	VOLTS
HEATER POSITIVE WITH RESPECT TO CATHODE	125	

TYPICAL OPERATING CONDITIONS AND CHARACTERISTICS

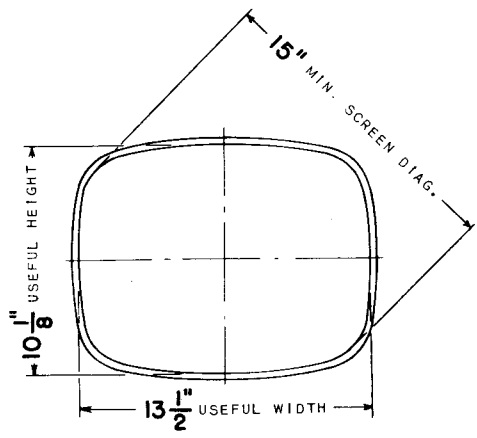
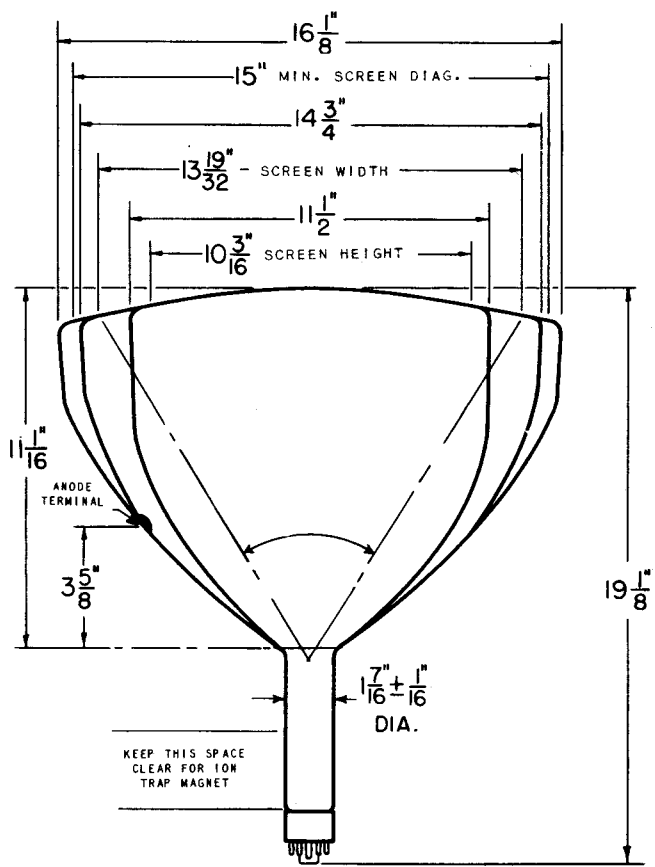
DC ANODE VOLTAGE	14 000	VOLTS
DC GRID #2 VOLTAGE	250	VOLTS
DC GRID #1 VOLTAGE ^A	-27 TO -63	VOLTS
DC FOCUSING COIL CURRENT (APPROX.)	150	MA.
DC ION TRAP CURRENT STANDARD COIL #108 (APPROX.)	120	MA.

^A VISUAL EXTINCTION OF UNDEFLECTED FOCUSED SPOT.

CIRCUIT VALUES

MAXIMUM GRID #1 CIRCUIT RESISTANCE	1.5	MEGOHMS
------------------------------------	-----	---------

TUNG-SOL



PRINTED IN U. S. A.