

**CHARACTERISTICS**

**GENERAL DATA**

Focusing Method . . . . .	Electrostatic
Deflecting Method . . . . .	Magnetic
Deflecting Angle (approx.)	
Horizontal . . . . .	65 Degrees
Diagonal . . . . .	70 Degrees
Phosphor . . . . .	P4
Fluorescence . . . . .	White
Persistence . . . . .	Medium
Faceplate . . . . .	Gray Filter Glass
Light Transmittance (approx.) . . . . .	72 Percent

**ELECTRICAL DATA**

Heater Voltage . . . . .	6.3 Volts
Heater Current (approx.) . . . . .	0.6 Ampere
Direct Interelectrode Capacitances (approx.)	
Cathode to All Other Electrodes . . . . .	5 $\mu\text{mf}$
Grid No. 1 to All Other Electrodes . . . . .	6 $\mu\text{mf}$
External Conductive Coating to Anode <sup>1</sup> . . . . .	1500 $\mu\text{mf}$ Max. 750 $\mu\text{mf}$ Min.
Ion Trap Magnet . . . . .	External, Single Field Type

**MECHANICAL DATA**

Minimum Useful Screen Dimensions . . . . .	10 $\frac{3}{4}$ x 14 $\frac{1}{4}$ Inches
Bulb Contact, (Recessed Small Cavity Cap) . . . . .	J1-21
Base, (Small Shell Duodecal 6-Pin) . . . . .	B6-63
Basing . . . . .	12L

**RATINGS**

**MAXIMUM RATINGS (Design Center Values)**

Anode Voltage . . . . .	16,000 Volts dc
Grid No. 4 (Focusing Electrode) Voltage . . . . .	-500 to +1000 Volts dc
Grid No. 2 Voltage . . . . .	500 Volts dc
Grid No. 1 Voltage	
Negative Bias Value . . . . .	125 Volts dc
Positive Bias Value . . . . .	0 Volts dc
Positive Peak Value . . . . .	2 Volts
Peak Heater-Cathode Voltage	
Heater Negative with Respect to Cathode	
During Warm-up Period not to Exceed 15 Seconds	410 Volts dc
After Equipment Warm-up Period . . . . .	180 Volts dc
Heater Positive with Respect to Cathode . . . . .	180 Volts dc

**RECOMMENDED OPERATING CONDITIONS**

Anode Voltage <sup>2</sup> . . . . .	14,000 Volts dc
Grid No. 4 Voltage . . . . .	-56 to +310 Volts dc
Grid No. 2 Voltage . . . . .	300 Volts dc
Grid No. 1 Voltage <sup>3</sup> Required for Cutoff . . . . .	-33 to -77 Volts dc
Ion Trap Magnet Strength (approx.) . . . . .	35 Gauss

**CIRCUIT VALUES**

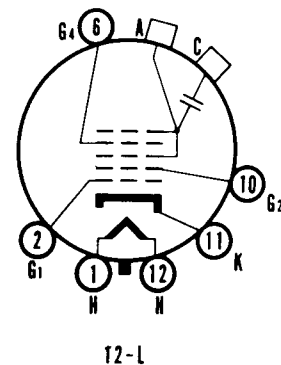
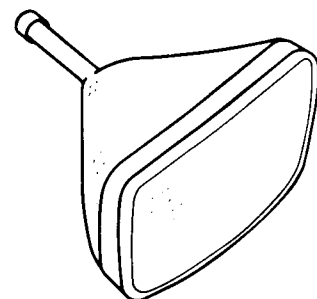
Grid No. 1 Circuit Resistance . . . . .	1.5 Megohms Max.
---	------------------

**NOTES:**

1. External conductive coating must be grounded.
2. Brilliance and definition decrease with decreasing anode voltage. In general, the anode voltage should not be less than this value.
3. Visual extinction of undeflected focused spot.

**QUICK REFERENCE DATA**

- Television Picture Tube
- 17" Direct Viewed
- Rectangular Glass Type
- Cylindrical Faceplate
- Gray Filter Glass
- Magnetic Deflection
- Low Voltage Electrostatic Focus
- Single Field Ion Trap
- External Conductive Coating

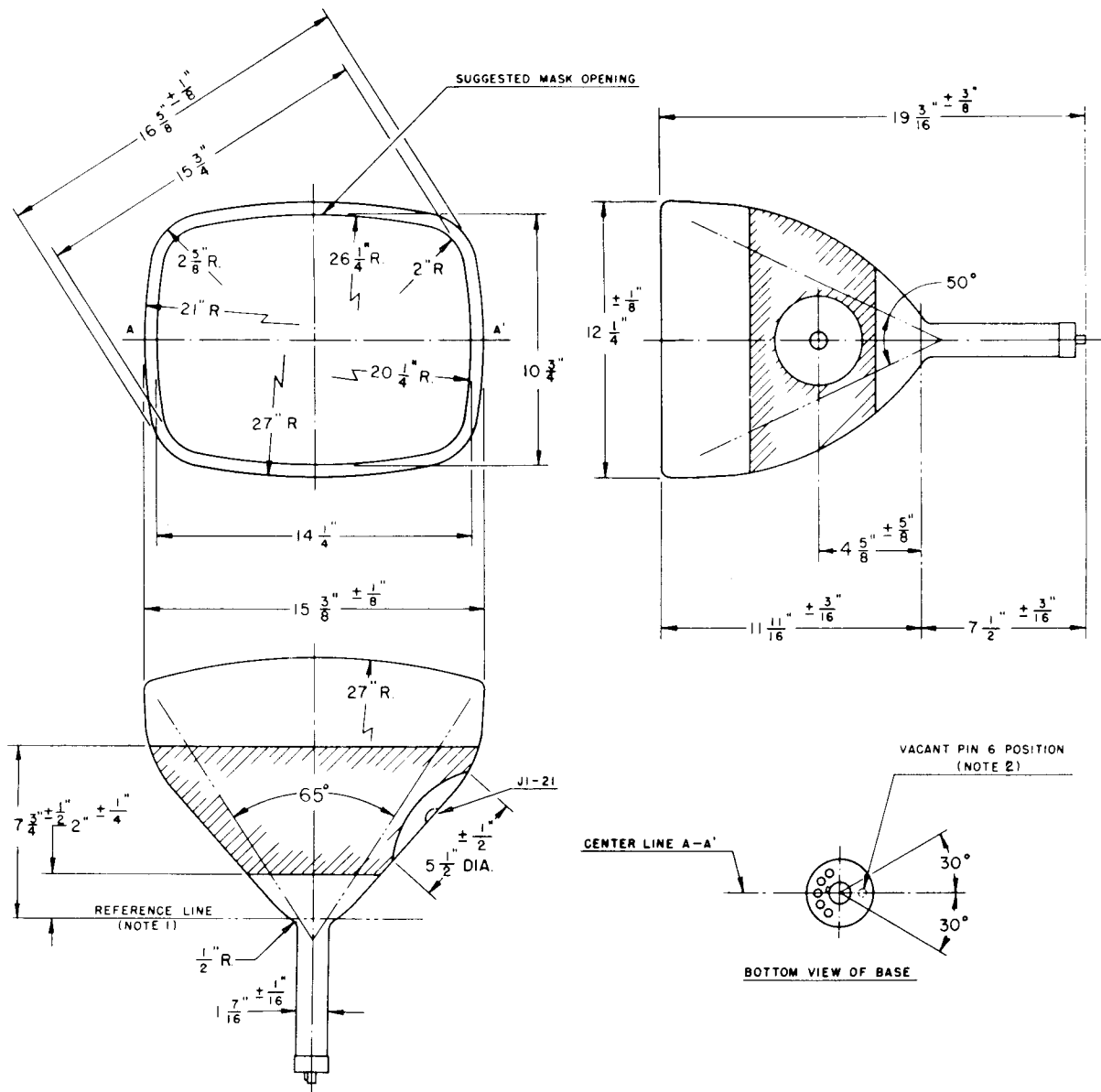


**SYLVANIA ELECTRIC PRODUCTS INC.**

TELEVISION PICTURE TUBE DIVISION  
SENECA FALLS, NEW YORK

Prepared and Released By The  
TECHNICAL PUBLICATIONS SECTION  
EMPORIUM, PENNSYLVANIA

SEPTEMBER 1952



**DIAGRAM NOTES:**

1. Reference line is determined by the plane of the upper edge of the reference line gauge (RTMA No. 110) when the gauge is resting on the glass cone.
2. Anode aligns with pin position No. 6  $\pm 30$  degrees.

**WARNING:**

X-ray radiation shielding may be necessary to protect against possible danger of personal injury from prolonged exposure at close range if this tube is operated at higher than the manufacturer's Maximum Rated Anode Voltage or 16,000 volts, whichever is less.