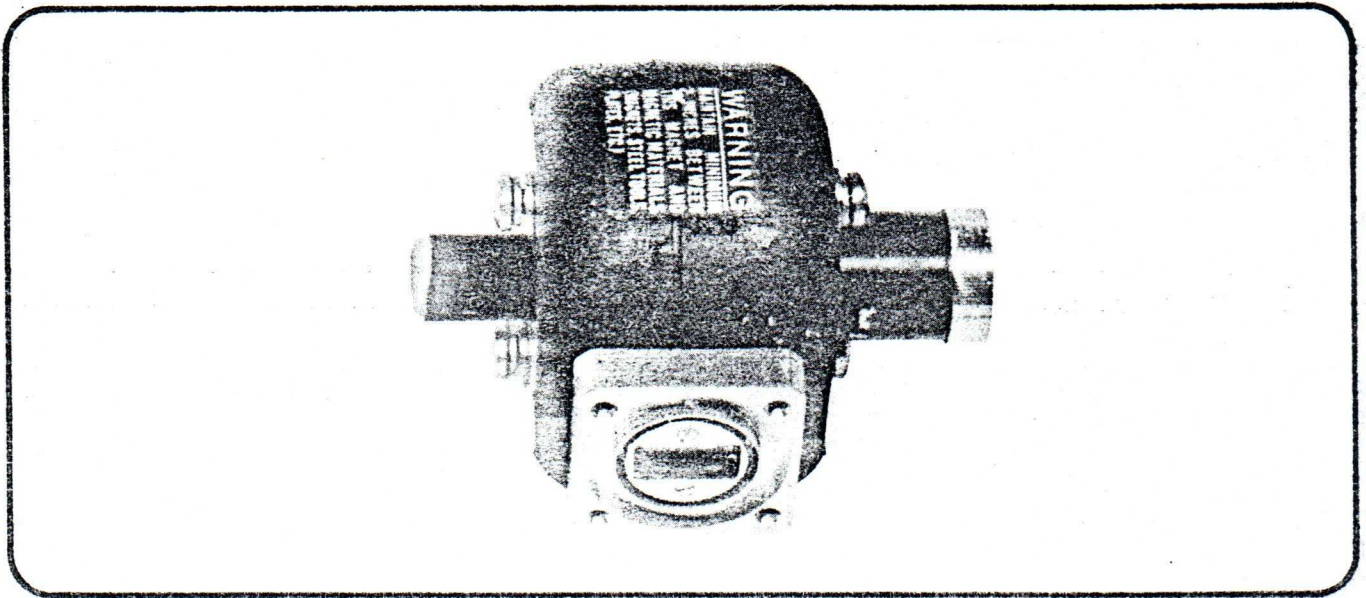


RM-108/MA-2852

Pulsed Ku-Band Coaxial Magnetron

Bulletin 1567



DESCRIPTION

A sturdy, lightweight unit incorporating coaxial design. The RM-108 provides efficient tunable frequency operation for Ku-band applications requiring a minimum peak power of 1 kilowatt.

APPLICATIONS

Beacon and navigation systems, radar detection systems, missile ground support equipment, transponders, and airborne radar equipment.

MICROWAVE ASSOCIATES, WATSONVILLE, INC. d/b/a

RELMAG DIVISION • MICROWAVE ASSOCIATES, INC.

For More Information Contact: RELMAG DIVISION • Watsonville, California • Phone 408-722-7181



Microwave Associates, Inc. Burlington, Massachusetts Tel. (617) 272-3000

Western Union Fax
TWX: 710-332-6789
Telex: 94-9484

SPECIFICATIONS

Electrical Characteristics

Peak Power	1000 W
Tunable Frequency	16000-16500 MHz
Pulling Factor (1.5:1 VSWR)	10 MHz Max.
Pushing Factor ($\pm 10\%$ ib)	6.7 MHz/A Max.
Missing Pulse Rate	0.5% Max.
Side Lobes	8 dB Min.
Thermal Coefficient	0.1 MHz/ $^{\circ}$ C Max.

Mechanical Characteristics

Size	See Outline Drawing
Weight	-24 oz./680 g Max.
Mounting Position	Any
Output Connector	Waveguide

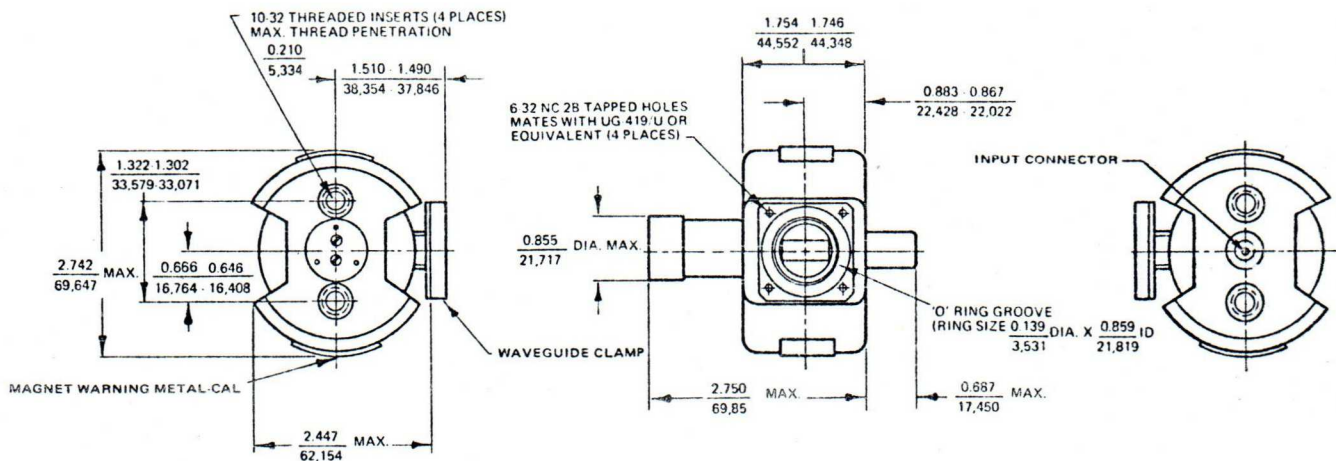
Operating Conditions

Heater Voltage	4.75 V
Heater Current	0.8 A Max.
Preheat Time	60 Sec. Min.
Pulse Voltage	2900-3100 V
Pulse Current	1.6 A
Anode-Cathode Capacitance	20 pF Max.
Duty Cycle	.001 Ratio Nom.

Environmental Characteristics

Cooling	Conduction and/or Air Cooled
Ambient Temperature	-54 $^{\circ}$ C to 110 $^{\circ}$ C
Altitude	25000 Ft./7620 m
Vibration	10 G
Shock (11 \pm b1 ms)	100 G

OUTLINE DRAWING



NOTE:

INCH
MM