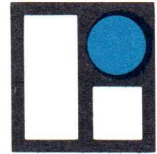


8

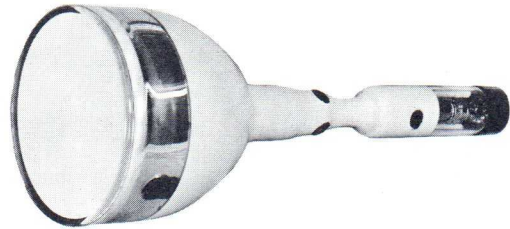


LITTON INDUSTRIES

ELECTRON TUBE DIVISION—ELECTRONIC DISPLAY LABORATORY

1476 66TH STREET • EMERYVILLE, CALIFORNIA • OLYMPIC 8-3831

5CHP11 CHARACTER WRITING CRT



5CHP11

CHARACTER WRITING CRT

ELECTROSTATIC DEFLECTION FOR CHARACTER WRITING
EQUAL DEFLECTION SENSITIVITY ON EACH AXIS
ELECTROMAGNETIC DEFLECTION FOR CHARACTER
POSITIONING
COMMON DEFLECTION ZONES FOR BOTH SYSTEMS
METALLIZED HIGHLY ACTINIC PHOSPHOR SCREEN
ACTIVE SCREEN AREA 4 1/4" DIAMETER
SCREEN VOLTAGE UP TO 30,000 VOLTS

APPLICATIONS

Suggested applications include: high speed display of characters by beam writing techniques, especially for computer read-out photographic applications, electronic character forming, etc.

DATA

GENERAL

Heater voltage (AC or DC) 6.3 volts
Heater current 0.6 amperes
Direct Interelectrode Capacitances:
Grid #1 to all other electrodes 8 uuf
Cathode to all other electrodes 5 uuf
Phosphor Screen
Aluminized, controlled micro particle size . . P-11
Fluorescence blue
Phosphorescence blue
Decay rate fast
Focusing Method Magnetic
Deflection Method Magnetic
Deflection Angle (Approx.) 40°
Auxiliary Deflection Method Electrostatic
Auxiliary Deflection Angle (Approx.) 10°
Overall Length 14 3/8" ± 1/8"
Bulb Diameter, max. 5" ± 1/8"

Minimum Useful Screen Diameter 4 1/4"
Mounting Position Any
Caps — recessed small cavity (JETEC No. J1-21)
Base — small shell duodecal 7-pin
(JETEC No. B7-51)

*MAXIMUM RATINGS

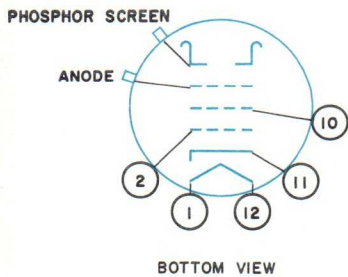
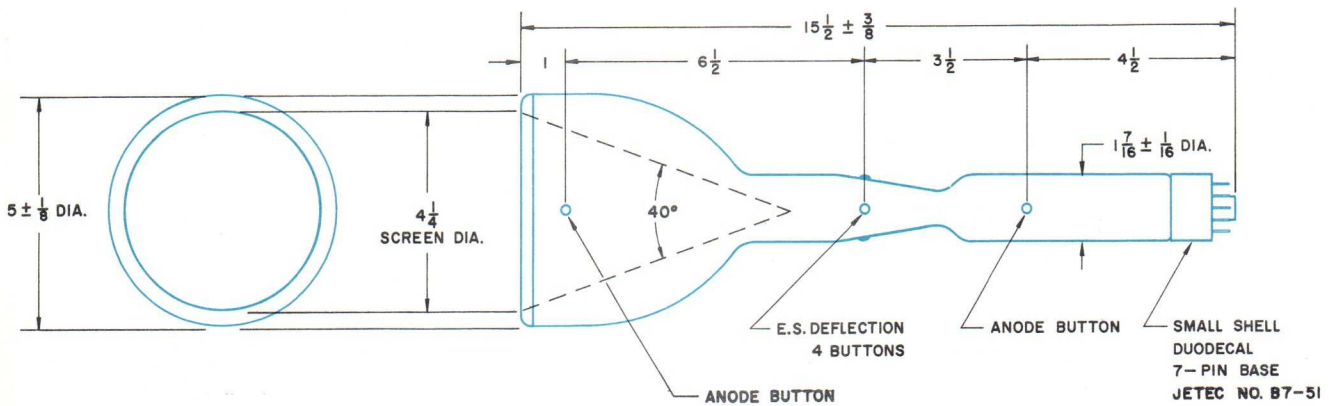
Screen (ultor) voltage ^{30,000}27,000 DC
Grid #2 voltage 700 DC
Grid #1 voltage:
Negative bias value 200 DC
Positive bias value -1 DC
Positive peak value 0
Peak heater — cathode voltage:
Heater negative with respect to cathode
during equipment warm-up period not
to exceed 15 seconds 410 DC
After equipment warm-up 150 DC
Heater pos. with respect to cathode 150 DC
Electrostatic Deflection System:
Sensitivity (equal deflection in the x and y axis)
20 KV anode Approx. 0.375"/1000 volts
(±500 volts from anode)
*design-center values

TYPICAL OPERATION

Ultor voltage 27,000 DC
Grid #2 voltage 500 DC
Grid #1 voltage for visual extinction
of focused spot -110 DC
Circuit values:
Grid #1 circuit resistance 1.5 megs. max.

5CHP11 CHARACTER WRITING CRT

DIMENSIONAL OUTLINE



PIN 1 - HEATER
PIN 2 - GRID NO. 1
PIN 10 - GRID NO. 2

PIN 11 - CATHODE
PIN 12 - HEATER
ANODE - TWO BUTTONS USED

NOTE: FOUR SYMMETRICALLY POSITIONED BUTTONS IN NECK
CONNECT TO ELECTROSTATIC DEFLECTION PLATES.