

ADMIRALTY SIGNAL ESTABLISHMENT

(NR54)

Specification AD/CV1175/Issue 2 Dated 10.10.45. To be read in conjunction with K1001	<u>SECURITY</u>	
	<u>Specification</u> Restricted	<u>Valve</u> Restricted

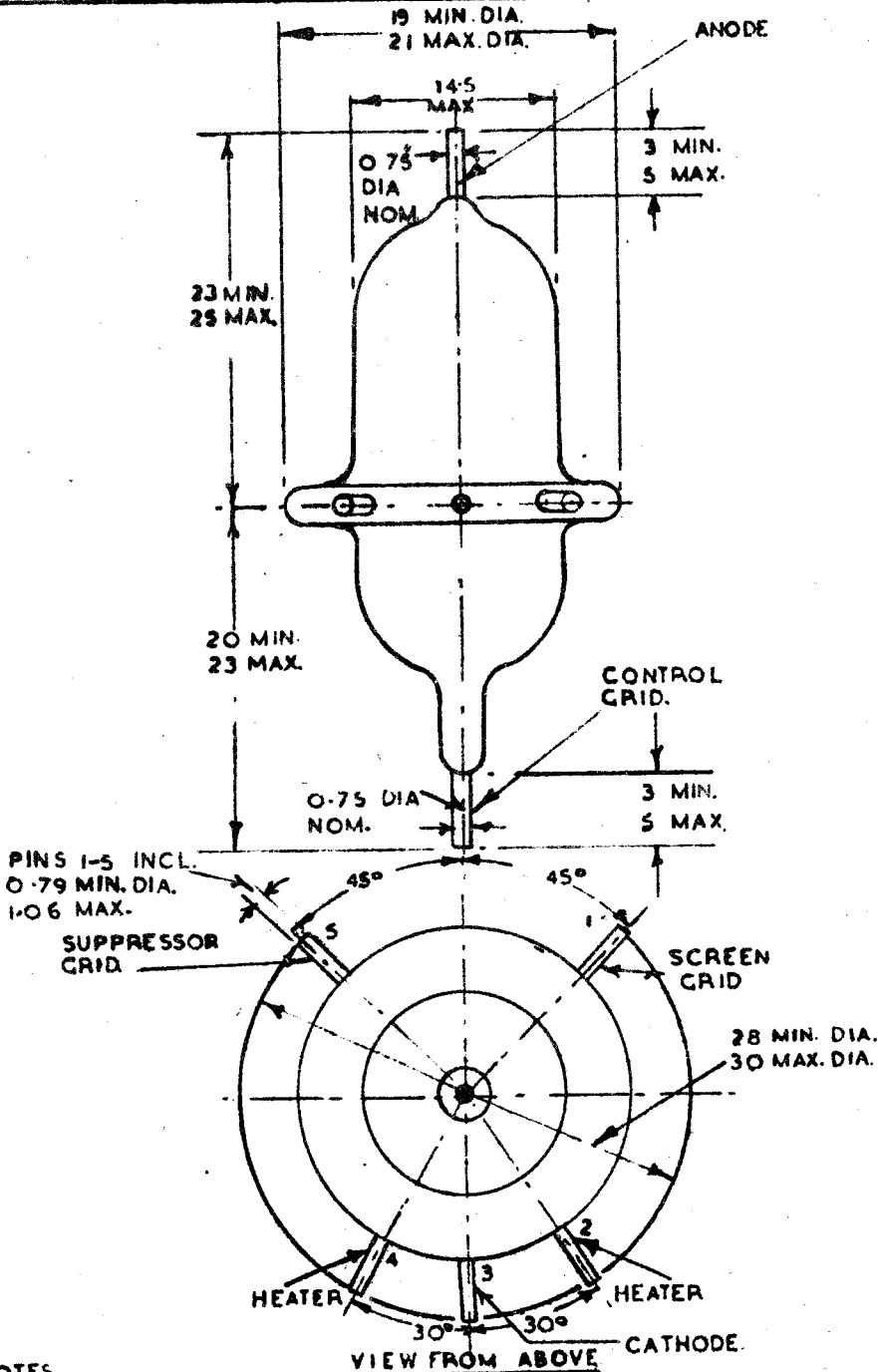
<u>TYPE OF VALVE</u> :- Acorn pentode with British pin-spacing.		<u>MARKING</u> See K1001/4.
<u>CATHODE</u> :- Indirectly heated.		
<u>ENVELOPE</u> :- Glass, clear.		
<u>PROTOTYPE</u> :- ZA1, AP4.		
<u>RATING</u>		<u>BASE</u> None
Vh (V)	4.0	A
Ih (A)	0.25	
Va max. (V)	250	
Vg2 max. (V)	100	
gm (mA/V)	1.4	
Approx. freq. of operation (Mc/s)	300	
<u>CAPACITANCES (pF.approx.)</u>		<u>DIMENSIONS AND CONNECTIONS</u> See Page 2.
Cag	0.007	<u>NOTE</u> A. At Va = 250 V, Vg2 = 100 V, Vg1 = -3 V, Vg3 = 0 V.
Cac	3.0	
Cgc	3.0	

TESTS

To be performed in addition to those applicable in K1001.

	Test Conditions					Test	Limits		No. Tested
	Vh (V)	Vg1 (V)	Vg2 (V)	Vg3 (V)	Va (V)		Min.	Max.	
a	4.0	-	-	-	-	Ih (A)	0.225	0.275	100% or S
b	4.0	-3	100	0	250	Ia (A)	1.0	3.0	100%
c	4.0	-3	100	0	250	Ig2 (mA)	0.3	1.1	100% or S
d	4.0	-3	100	0	250	gm (mA/V)	1.0	1.8	100%
e	4.0	-3	100	0	250	Reverse Ig (μA)	-	1.5	100%
f	4.0	-10	100	0	250	Ia (μA)	-	120	100%

CV1175 & CV1176. OUTLINE DIMENSIONS AND CONNECTIONS



NOTES.

- 1 VALVES ARE TO BE CHECKED IN A.S.E. GAUGE No. 225 FOR OVERALL DIAMETER AND PIN DISPOSITIONS
- 2 ALL DIMENSIONS ARE IN MILLIMETRES.