

ELECTRONIC VALVE SPECIFICATIONS
SPECIFICATION AD/CV2374 and CV2375
ISSUE NO.1 DATED 23rd SEPTEMBER, 1955.

AMENDMENT NO. 1

Page 3 Drawing Dimensions.

Amend length:-

from 21 mm max. to 29 mm max.

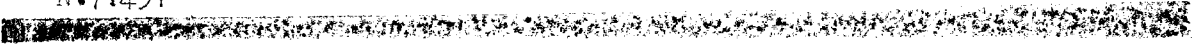
Amend diameter:-

from 5.25 mm max. to 8.25 mm max.

OCTOBER, 1959.

ADMIRALTY SURFACE WEAPONS ESTABLISHMENT

N.71491



WARNING: These valves contain Radio-Active material

Page 1. (No. of pages:- 3)

VALVE ELECTRONIC

CV2374
CV2375

ADMIRALTY SIGNAL AND RADAR ESTABLISHMENT

Specification AD/CV2374 and CV2375 Issue No.1 Dated 23rd September, 1955 To be read in conjunction with K1001	<u>SECURITY</u>	
	<u>Specification</u> Unclassified	<u>Valve</u> Unclassified

<u>TYPE OF VALVE:-</u> Gas filled diode <u>CATHODE:-</u> Gold <u>ENVELOPE:-</u> Glass <u>PROTOTYPES:-</u> CV2374 = GD60 CV2375 = GD100	<u>MARKING</u> See K1001/4.1 and 4.4 Red spot indicates anode
	<u>BASE</u> Flying leads See Drawing

<u>RATINGS</u>	Note	<u>CONNECTIONS AND DIMENSIONS</u> See Drawing.
Nominal Striking Voltage:-		
CV2374 (V)	150	
CV2375 (V)	220	
Max. D.G. Current (mA)	0.2	A

NOTES

- A. Absolute Maximum Value.
- B. For handling and disposal instructions, see Memorandum in K1001 - Radio-active Valves - Handling and Disposal - dated September, 1953.
- C. When the valve is fitted into equipment, the soldering iron should not be applied to the wire leads within 0.25" of the glass envelope. At 0.25" distance the time taken to make the soldered joint should not exceed 10 seconds.

Z.10350.R.

C.V.2374/2375/1/1

CV2374 CV2375

TESTS

Page 2

To be performed in addition to those applicable in K1001.

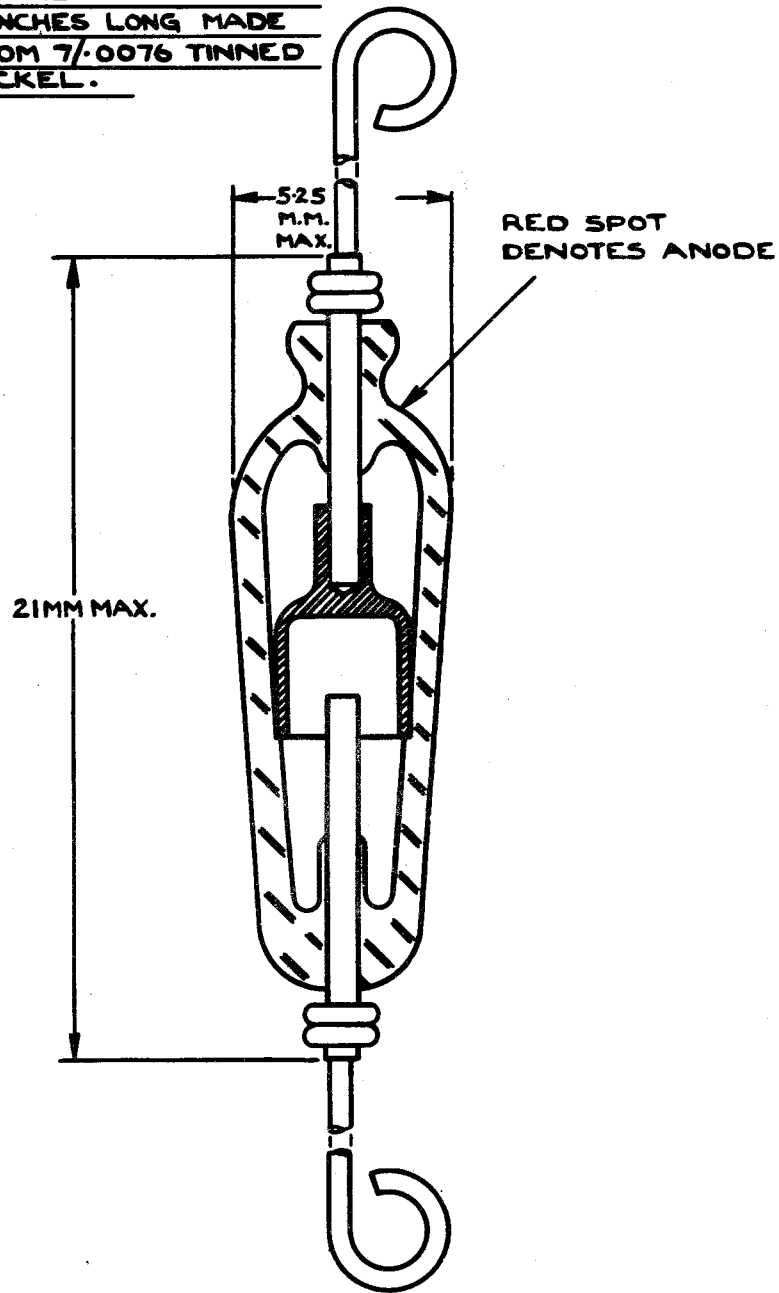
	Test Conditions	Test	Limits		No. Tested	Note
			Min.	Max.		
a	Va = 85 volts D.C.	Electrical insulation between anode and cathode (ohms)	5x10 ¹⁰	-	100%	1
b	The voltage shall be applied to the anode through a limiting resistance of 1 Megohm. Rate of rise of anode voltage 100V/Sec.	<u>Striking Voltage</u>				
		<u>CV2374</u> (V)	142.5	157.5	100%	1,2
		<u>CV2375</u> (V)	209.0	231.0		

NOTES

1. All tests shall be performed with the valve enclosed in a light proof container.
2. Tests to be performed after at least 4 weeks shelf life.

C.V.2374/2375/1/2

FLEXIBLE LEADS ARE
5 INCHES LONG MADE
FROM 7/0076 TINNED
NICKEL.



C.V. 2374/2375/4/3