

RF POWER TRIODE

QUICK REFERENCE DATA									
General purposes									
λ (m)	Freq. (MHz)	C teleg.		B teleph.		C _a mod.		B mod. ¹⁾	
		V _a (kV)	W _o (kW)	V _a (kV)	W _o (kW)	V _a (kV)	W _o (kW)	V _a (kV)	W _o (kW)
4	75	6	6.9	6	1.9			6	13.3
		5	5.6	5	1.45	5	4.7	5	6.6
		4	4			4.5	4.1	4.5	6.0
						4	3.5	4	5.3
						3.5	3	3.5	4.6
						3	2.2	3	3.3
Television service									
Freq. (MHz)	Neg. mod.		Pos. sync.		Pos. mod.		Neg. sync.		
	V _a (kV)	W _o sync (kW)	W _o black (kW)		V _a (kV)	W _o white (kW)			
75	5	9	5.35		5	9			

HEATING: direct; filament thoriated tungsten

Filament voltage	V _f	12.6	V
Filament current	I _f	33	A

CAPACITANCES

Anode to all other elements except grid	C _a	0.3	pF
Grid to all other elements except anode	C _g	16	pF
Anode to grid	C _{ag}	11	pF

COOLING: forced air

¹⁾ Two tubes

TYPICAL CHARACTERISTICS

Anode voltage	V_a	4 kV
Anode current	I_a	1 A
Amplification factor	μ	32
Mutual conductance	S	17 mA/V

Table 1 Air cooling characteristics

W_a (kW)	h (m)	T_i max. (°C)	$q_{min.}$ (m ³ /min)	ΔP (Pa)*
1	0	35	3	80
	0	45	3.1	80
	1500	35	3.7	90
	3000	25	4.1	100
3	0	35	5.2	230
	0	45	6.1	290
	1500	35	6.2	260
	3000	25	6.6	260
5	0	35	9.2	680
	0	45	10.7	900
	1500	35	11.2	810
	3000	25	11.6	790

TEMPERATURE LIMITS (Absolute limits)

Temperature of seals = max. 180 °C

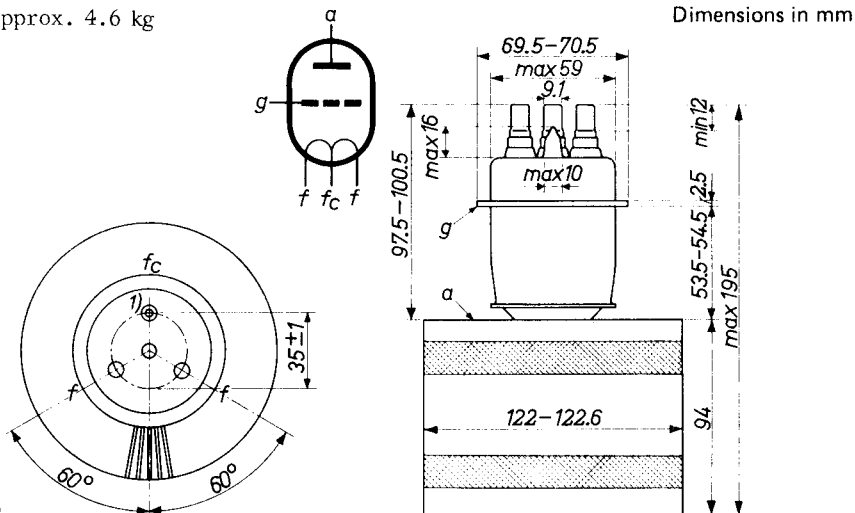
* 1 Pa \approx 0,1 mm H₂O.

MECHANICAL DATA

Mounting position: Vertical with anode up or down.

The centre tap f_c must not be used for filament current supply. The connectors type 40634, however, must be used for cooling of all three filament pins.

Net mass : approx. 4.6 kg



Dimensions in mm

ACCESSORIES

Grid connector	or	type 40650	2)
		40622	
Filament connectors		40634	
Insulating pedestal		40630	

Fig. 1 Mechanical outline.

For further data and curves (except cooling curves) please refer to type TBW6/6000

1) This pin is marked "O"

2) The connector 40650 should be used only below 30 MHz.

PHILIPS

Data handbook



Electronic
components
and materials

TBL6/6000

page	sheet	date
1	119	1988.02
2	120	1988.02
3	121	1988.02
4	FP	2000.09.22