

TUNG-SOL

CATHODE RAY

THE 19EP4 IS A DIRECT VIEW PICTURE TUBE DESIGNED FOR USE IN TELEVISION APPLICATIONS. ITS FEATURES INCLUDE:

GREY FILTER FACEPLATE	UNIPOTENTIAL CATHODE
MAGNETIC FOCUS AND DEFLECTION	12" X 16" RASTER SIZE
RECTANGULAR GLASS CONSTRUCTION	EXTERNAL DOUBLE FIELD ION TRAP

ELECTRICAL DATA

FOCUSING METHOD	MAGNETIC
DEFLECTING METHOD	MAGNETIC
DEFLECTION ANGLE (APPROX.)	
HORIZONTAL	65 DEGREES
DIAGONAL	70 DEGREES

OPTICAL DATA

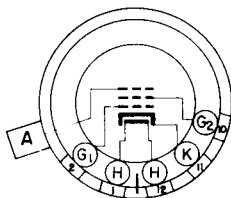
PHOSPHOR NUMBER	NO. 4
FLUORESCENT COLOR	WHITE
PHOSPHORESCENT COLOR	WHITE
PERSISTENCE	MEDIUM

MECHANICAL DATA

OVERALL LENGTH	21 1/8 ± 3/8	INCHES
GREATEST DIAMETER OF BULB	18 5/8 ± 1/8	INCHES
MINIMUM USEFUL SCREEN DIAMETER	17 21/32	INCHES
BULB CONTACT	RECESSED SMALL CAVITY CAP	J1-21
BASE	SMALL SHELL DUODECAL 5 PIN	B5-57
BASING		12D
BULB CONTACT ALIGNMENT		
J1-21 CONTACT ALIGNS WITH PIN POSITION #6 ± 30 DEGREES		

PIN CONNECTIONS

PIN 1 - HEATER
 PIN 2 - GRID NO. 1
 PIN 10 - GRID NO. 2



PIN 11 - CATHODE
 PIN 12 - HEATER
 ANODE CAP

BOTTOM VIEW

CONTINUED ON FOLLOWING PAGE

TUNG-SOL

CONTINUED FROM PRECEDING PAGE

RATINGS
 DESIGN CENTER VALUES

HEATER VOLTAGE	6.3	VOLTS
HEATER CURRENT	0.6	AMP.
MAXIMUM DC ANODE VOLTAGE	19 000	VOLTS
MAXIMUM DC GRID #2 VOLTAGE	410	VOLTS
MAXIMUM GRID #1 VOLTAGE		
DC NEGATIVE-BIAS VALUE	125	VOLTS
DC POSITIVE-BIAS VALUE	0	VOLTS
POSITIVE-PEAK VALUE	2	VOLTS
MAXIMUM DC PEAK HEATER-CATHODE VOLTAGE		
HEATER NEGATIVE WITH RESPECT TO CATHODE		
DURING WARM-UP PERIOD NOT TO EXCEED 15 SECONDS	410	VOLTS
AFTER EQUIPMENT WARM-UP PERIOD	125	VOLTS
HEATER POSITIVE WITH RESPECT TO CATHODE	125	VOLTS

TYPICAL OPERATING CONDITIONS AND CHARACTERISTICS

DC ANODE VOLTAGE	13 000	VOLTS
DC GRID #2 VOLTAGE	250	VOLTS
DC GRID #1 VOLTAGE ^A	-26 TO -63	VOLTS
DC FOCUSING COIL CURRENT ^B (APPROX.)	95 ± 20%	MA.
DC ION TRAP CURRENT STANDARD COIL #108 (APPROX.)	75 ± 50%	MA.

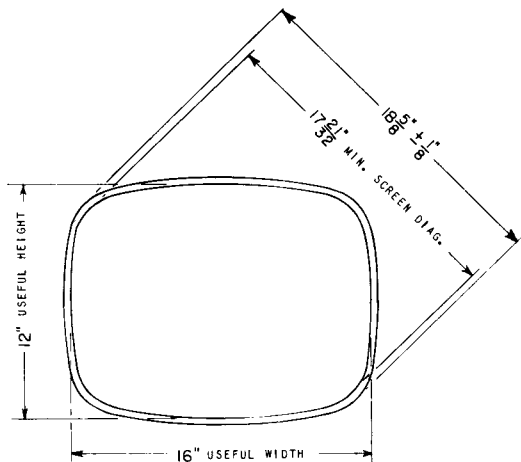
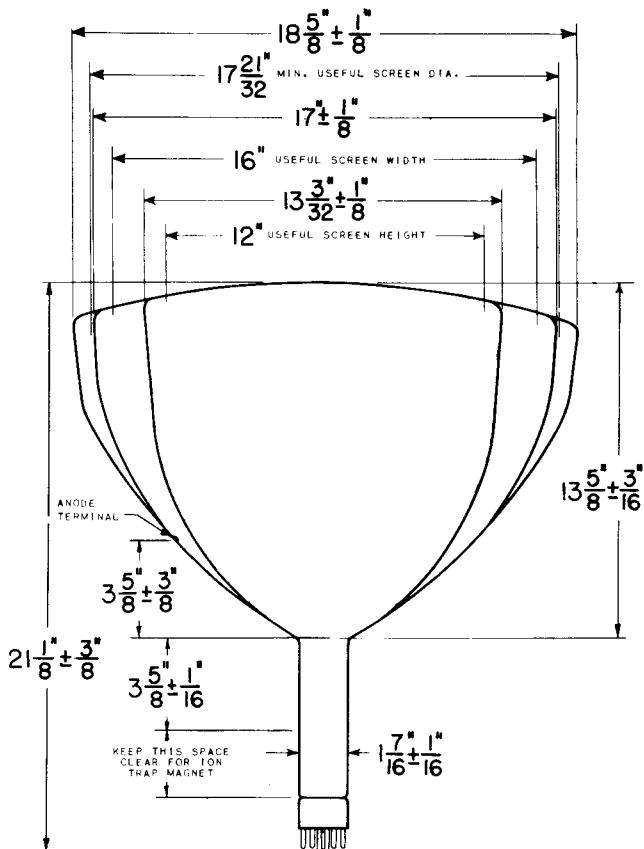
^AVISUAL EXTINCTION OF UNDEFLECTED FOCUSED SPOT.

^BFOR STANDARD FOCUS COIL #109, OR EQUIVALENT, WITH THE COMBINED GRID #1 BIAS VOLTAGE AND VIDEO SIGNAL VOLTAGE ADJUSTED TO PRODUCE A HIGHLIGHT BRIGHTNESS OF 25 FOOT LAMBERTS ON A 12" X 16" PICTURE SIZE. DISTANCE FROM REFERENCE LINE TO CENTER OF AIR GAP ON FOCUS COIL SHALL BE 3.25 INCHES.

CIRCUIT VALUES

MAXIMUM GRID #1 CIRCUIT RESISTANCE	1.5	MEGOHMS
------------------------------------	-----	---------

TUNG-SOL



PRINTED IN U. S. A.