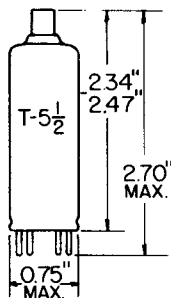


TUNG-SOL

DIODE
MINIATURE TYPE

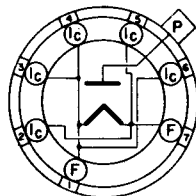


GLASS BULB

FILAMENT
1.25±5% VOLTS 0.265 AMP.

AC OR DC

ANY MOUNTING POSITION



BOTTOM VIEW
MINIATURE BUTTON
7 PIN BASE

THE 1Z2 IS A HIGH VOLTAGE LOW CURRENT VACUUM RECTIFIER TUBE IN A MINIATURE BULB. THIS TUBE FEATURES A LOW DRAIN, THORIATED TUNGSTEN FILAMENT WHICH WILL WORK SATISFACTORILY IN FLYBACK AND RF POWER SUPPLY CIRCUITS AS WELL AS WITH CONVENTIONAL TRANSFORMER OR DRY BATTERY FILAMENT SUPPLY. FULL ANODE VOLTAGE MAY BE APPLIED TO A COLD TUBE SIMULTANEOUSLY WITH THE APPLICATION OF FILAMENT VOLTAGE. BECAUSE OF THE SMALL SPACE AND WEIGHT OF THE 1Z2, THIS TUBE IS ESPECIALLY ADAPTABLE TO COMPACT AND PORTABLE EQUIPMENT.

MAXIMUM RATINGS

MAXIMUM PEAK INVERSE PLATE VOLTAGE	15 000	VOLTS
MAXIMUM STEADY STATE PEAK PLATE CURRENT	8.5	MA.
MAXIMUM DC OUTPUT CURRENT	1.5	MA.
MAXIMUM SUPPLY VOLTAGE FREQUENCY	200	KCYCLES
MAXIMUM ALTITUDE FOR FULL RATINGS	10 000	FEET
MINIMUM SUPPLY SOURCE IMPEDANCE (AT EPX =15 KV)	300 000	OHMS

ELECTRICAL DATA

FILAMENT VOLTAGE	1.25±5%	VOLTS
FILAMENT CURRENT	0.265	AMP.
TUBE VOLTAGE DROP AT 1.5 MA. (APPROX.)	18	VOLTS
TUBE VOLTAGE DROP AT 8.5 MA. (APPROX.)	125	VOLTS
MINIMUM FILAMENT HEATING TIME	0	SECONDS

CONTINUED ON FOLLOWING PAGE

PRINTED IN U. S. A.

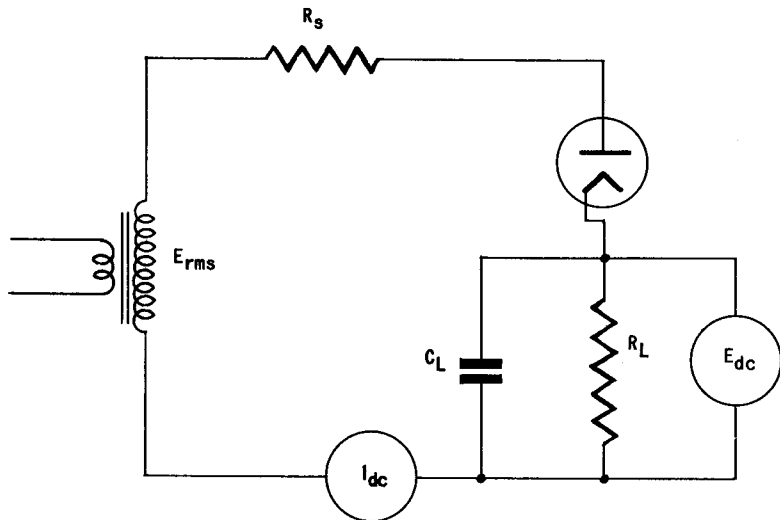
TUNG-SOL

CONTINUED FROM PRECEDING PAGE

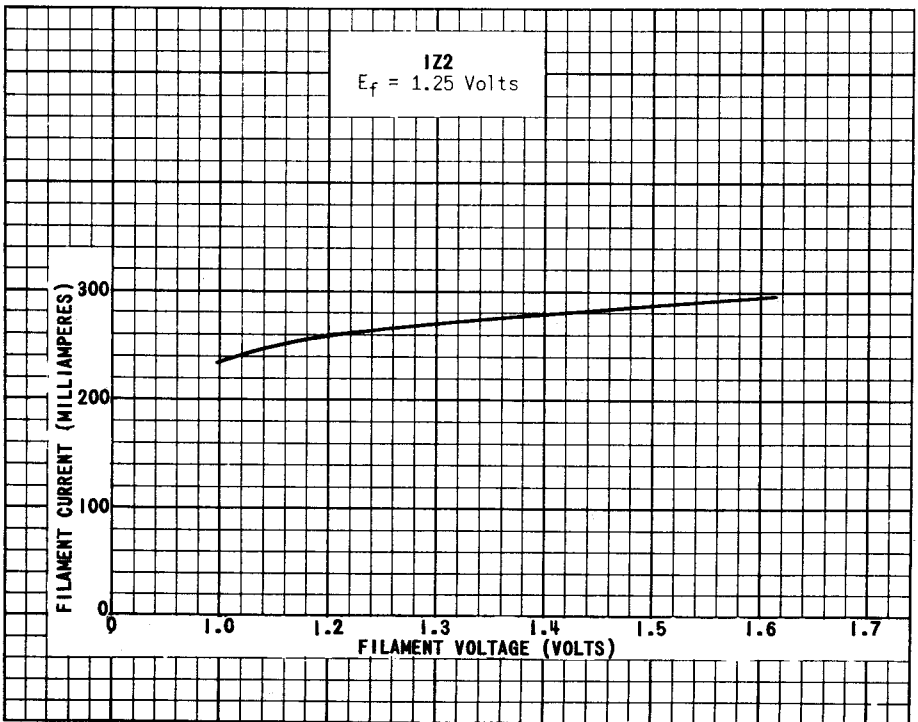
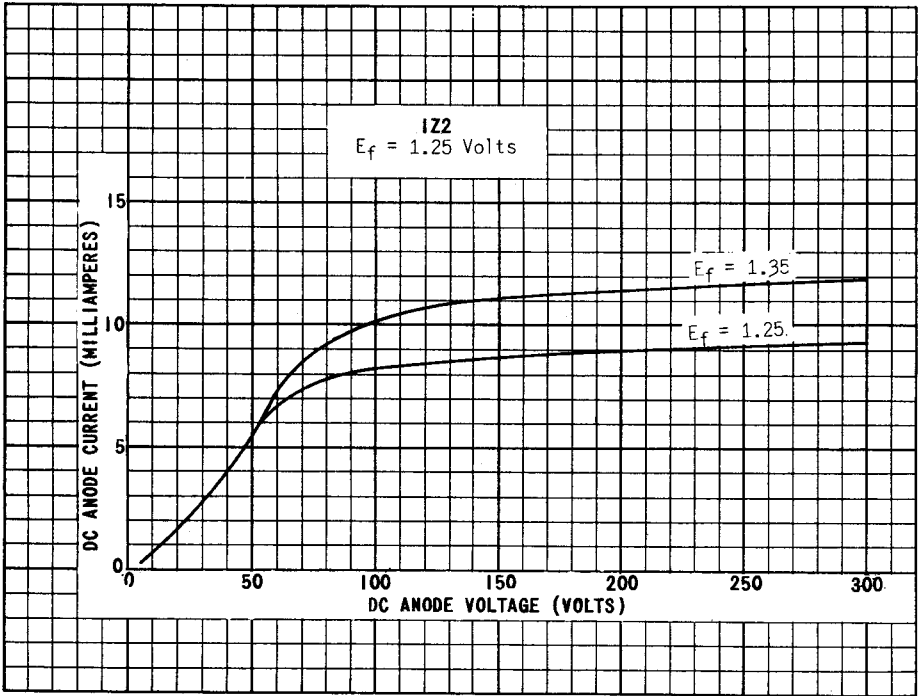
MECHANICAL DATA

MOUNTING POSITION	ANY	
MAXIMUM OVERALL LENGTH	2.70	INCHES
SEATED LENGTH	2.34 TO 2.47	INCHES
MAXIMUM DIAMETER	0.75	INCHES
BULB	T-5 1/2	
CAP	SKIRTED MINIATURE	
BASE	MINIATURE BUTTON 7 PIN	
MAXIMUM WEIGHT (NET)	0.5	OUNCES

TYPICAL CIRCUIT VALUES



E_{rms}	R_s	R_L	C_L	E_{dc}	I_{dc}
KILOVOLTS	MEGOHMS	MEGOHMS	mfd	KILOVOLTS	MILLIAMPS
5.3	0.44	278.	.012	4.15	1.5
5.3	0.3	43.	.024	6.8	0.155



PRINTED IN U. S. A.