



TECHNICAL DATA

3CX20,000A3

MEDIUM-MU  
INDUSTRIAL  
TRIODE

The EIMAC 3CX20,000A3 is a ceramic insulated power triode for industrial oscillator or general communications service. It is recommended for Class C amplifier service, or Class B radio frequency and audio frequency amplifier use.

GENERAL CHARACTERISTICS<sup>1</sup>

ELECTRICAL

Filament: Thoriated Tungsten

Voltage . . . . . 10.0 ± 0.5 V

Current, at 10.0 volts . . . . . 160 A

Direct Interelectrode Capacitance (grounded cathode)<sup>2</sup>

Cin . . . . . 70.0 pF

Cout . . . . . 2.3 pF

Cgp . . . . . 43.0 pF

Frequency of Maximum Rating:

CW . . . . . 90 MHz

1. Characteristics and operating values are based upon performance tests. These figures may change without notice as the result of additional data or product refinement. EIMAC Division of Varian should be consulted before using this information for final equipment design.
2. Capacitance values are for a cold tube as measured in a special shielded fixture in accordance with Electronic Industries Association Standard RS-191.

MECHANICAL

Overall Dimensions:

Length . . . . . 10.00 in; 254.0 mm

Diameter . . . . . 8.00 in; 203.0 mm

Net Weight . . . . . 19.5 lb; 8.8 kg

Operating Position . . . . . Vertical

Maximum Operating Temperature:

Ceramic/Metal Seals . . . . . 250°C

Anode Core . . . . . 250°C

Cooling . . . . . Forced air

Base . . . . . Coaxial

Recommended Air System Socket . . . . . SK-1300



**RADIO FREQUENCY LINEAR AMPLIFIER  
GRID DRIVEN** Class AB or B

ABSOLUTE MAXIMUM RATINGS

DC PLATE VOLTAGE	8000	VOLTS
DC GRID VOLTAGE	-2000	VOLTS
DC PLATE CURRENT	8.0	AMPERES
PLATE DISSIPATION	20.0	KILOWATTS
GRID DISSIPATION	750	WATTS

TYPICAL OPERATION Class AB<sub>2</sub>, Grid Driven, Peak Envelope or Modulation Crest Conditions

Plate Voltage	6500	7500	Vdc
Grid Voltage <sup>1</sup>	-320	-380	Vdc

Zero-Signal Plate Current	1.0	1.0	Adc
Single-Tone Plate Current	6.0	7.4	Adc
Single-Tone Grid Current <sup>2</sup>	460	630	mAdc
Peak rf Grid Voltage <sup>2</sup>	545	640	v
Driving Power	520	400	W
Plate Dissipation	11.5	15.1	kW
Single-Tone Plate Output Power	27.5	40.0	kW
Resonant Load Impedance	580	570	Ω

1. Adjust to specified zero-signal dc plate current.
2. Approximate value.

**RADIO FREQUENCY POWER AMPLIFIER OR  
OSCILLATOR** Class C Telegraphy, Industrial Oscillator (Key-Down Conditions)

ABSOLUTE MAXIMUM RATINGS

DC PLATE VOLTAGE	12,000	VOLTS
DC GRID VOLTAGE	-2000	VOLTS
DC GRID CURRENT	1.5	AMPERES
DC PLATE CURRENT	8.0	AMPERES
PLATE DISSIPATION	20.0	KILOWATTS
GRID DISSIPATION	750	WATTS

TYPICAL OPERATION

Plate Voltage	7500	10,000	Vdc
Grid Voltage	-800	-900	Vdc
Plate Current	8.0	7.9	Adc
Grid Resistor	575	1180	Ω
Grid Current <sup>1</sup>	1.4	.75	Adc
Peak rf Grid Voltage <sup>1</sup>	1200	1270	v
Calculated Driving Power <sup>1</sup>	1670	960	W
Plate Input Power	60.0	78	kW
Plate Dissipation	9.0	14	kW
Plate Output Power	51.0	64	kW
Resonant Load Impedance	480.0	640	Ω

1. Approximate value.

**PLATE MODULATED RADIO FREQUENCY POWER  
AMPLIFIER-GRID DRIVEN** Class C Telephony (Carrier Conditions)

ABSOLUTE MAXIMUM RATINGS

DC PLATE VOLTAGE	6500	VOLTS
DC PLATE CURRENT	5.5	AMPERES
PLATE DISSIPATION <sup>1</sup>	13.0	KILOWATTS
GRID DISSIPATION <sup>2</sup>	750	WATTS

TYPICAL OPERATION

Plate Voltage	6500	Vdc
Grid Voltage	-1300	Vdc
Plate Current	5.0	Adc
Grid Current <sup>1</sup>	900	mAdc
Peak rf Grid Voltage <sup>1</sup>	1660	v
Calculated Driving Power	1500	W
Plate Input Power	32.5	kW
Plate Dissipation	5.0	kW
Plate Output Power	27.5	kW
Resonant Load Impedance	610	Ω

1. Corresponds to 20 kW at 100% sine-wave modulation.
2. Average, with or without modulation.

1. Approximate value.

**AUDIO FREQUENCY POWER AMPLIFIER OR  
MODULATOR** Class AB, Grid Driven (Sinusoidal Wave)

ABSOLUTE MAXIMUM RATINGS (per tube)

DC PLATE VOLTAGE	8000	VOLTS
DC PLATE CURRENT	8.0	AMPERES
PLATE DISSIPATION	20.0	KILOWATTS
GRID DISSIPATION	750	WATTS

Zero-Signal Plate Current	2.0	Adc
Max. Signal Plate Current	14.8	Adc
Max. Signal Grid Current <sup>1</sup>	1.26	Adc
Peak af Grid Voltage <sup>2</sup>	640	v
Driving Power	800	W
Max. Signal Plate Dissipation	30.2	kW
Plate Output Power	80.0	kW
Load Resistance (plate to plate)	1140	Ω

TYPICAL OPERATION (Two Tubes)

Plate Voltage	7500	Vdc
Grid Voltage <sup>1/3</sup>	-380	Vdc

1. Approximate value.
2. Per Tube.
3. Adjust to give stated zero-signal plate current.

NOTE: TYPICAL OPERATION data are obtained by measurement or calculation from published characteristic curves. Adjustment of the rf grid voltage to obtain the specified plate current at the specified bias, and plate voltages is assumed. If this procedure is followed, there will be little variation in output power when the tube is changed, even though there may be some variation in grid current. The grid current which results when the desired plate current is obtained is incidental and varies from tube to tube. These current variations cause no difficulty so long as the circuit maintains the correct voltage in the presence of the variations in current. If grid bias is obtained principally by means of a grid resistor, the resistor must be adjustable to obtain the required bias voltage when the correct rf grid voltage is applied.

**RANGE VALUES FOR EQUIPMENT DESIGN**

Heater: Current at 10.0 volts . . . . .	152	168 A
Interelectrode Capacitances <sup>1</sup> (grounded cathode connection)		
Cin . . . . .	65.0	75.0 pF
Cout . . . . .	2.00	2.60 pF
Cgp . . . . .	38.0	48.0 pF

1. Capacitance values are for a cold tube as measured in a special shielded fixture in accordance with Electronic Industries Association Standard RS-191.

**APPLICATION**

**MECHANICAL**

**COOLING** - The maximum temperature rating for the external surfaces of the 3CX20,000A3 is 250°C. Sufficient forced-air flow must be provided to keep the temperature of the anode at the base of the cooling fins and the temperature of the ceramic/metal seals below 250°C. Air flow requirements to maintain core temperature at 225°C in 50°C ambient air are tabulated below. These data are for air flowing in the base-to-anode direction, and the pressure drop figures shown are for the tube/socket/chimney combination.

BASE-TO-ANODE AIR FLOW				
Plate * Dissipation (watts)	Sea Level		10,000 Feet	
	Air Flow (CFM)	Pressure Drop In. H2O	Air Flow (CFM)	Pressure Drop In. H2O
10,000	320	1.0	464	1.6
15,000	625	3.0	910	4.4
20,000	1010	6.0	1475	8.7

\* Since the power dissipated by the filament represents about 1680 watts and since the grid dissipation can, under some conditions, represent another 750 watts, allowance has been made in preparing this tabulation for an additional 2430 watts dissipation.

The blower selected in a given application must be capable of supplying the desired air flow at a back pressure equal to the pressure drop shown

above plus any drop encountered in ducts and filters.

At other altitudes and ambient temperatures, the flow rate must be modified to obtain equivalent cooling. The flow rate and corresponding pressure differential must be determined individually in such cases, using rated maximum temperatures as the criteria for satisfactory cooling.

**ELECTRICAL**

**FILAMENT/CATHODE OPERATION** - The filament voltage should be maintained within 5% of the nominal 10.0 V value, and for consistent tube life even closer control is advised. For most services the filament voltage may be less than the nominal 10.0 V for extended life. The exact value about which to control should be determined by experiment in any given service.

**GRID OPERATION** - The grid dissipation rating of 750 watts must not be exceeded. For the convenience of industrial heating operators a maximum grid current of 1.5 amperes is specified. This provides reasonable assurance that the 750 watt rating is not exceeded.

**PLATE OPERATION** - Allowable anode dissipation depends on provision of sufficient cooling air for the temperature and altitude environment. Anode dissipation will vary widely with load

changes in industrial heating service. It is important that the power level be adjusted so that under no condition of the load cycle does the anode dissipation exceed the level established by the available cooling air. When power tubes are operated in parallel, provision should be made to meter plate and grid currents individually. It is good practice also to provide separate plate current or cathode current overload relays when tubes are operated in parallel.

**RADIO FREQUENCY RADIATION** - Avoid exposure to strong rf fields even at relatively low frequency. Absorption of rf energy by human tissue is dependent on frequency. Under 30 MHz, most of the energy will pass completely through the human body with little attenuation or heating effect. Public health agencies are concerned with the hazard, however, even at these frequencies, and it is worth noting that some commercial dielectric heating units actually operate at frequencies as low as the 13 and 27 MHz bands.

Many EIMAC power tubes, such as the 3CX-20,000A3, are specifically designed to generate or amplify radio frequency power. There may be a relatively strong rf field in the general proximity of the power tube and its associated circuitry---the more power involved, the stronger the rf field. Proper enclosure design and efficient coupling of rf energy to the load will minimize the rf field in the vicinity of the power amplifier unit itself.

**HIGH VOLTAGE** - Normal operating voltages used with the 3CX20,000A3 are deadly, and the equipment must be designed properly and operating precautions must be followed. Design all equipment so that no one can come in contact with high voltages. All equipment must include safety enclosures for high-voltage circuitry and terminals, with interlock switches to open primary circuits of the power supply and to discharge high-voltage condensers whenever access doors are opened. Interlock switches must not be bypassed or "cheated" to allow operation with access doors open. Always remember that **HIGH VOLTAGE CAN KILL**.

**X-RADIATION** - High-vacuum tubes operating at voltages higher than 10 kilovolts produce progressively more dangerous X-ray radiation as the voltage is increased. The 3CX20,000A3, operating at its rated voltages and currents, is a potential X-ray hazard. Only limited shielding is afforded by the tube envelope. Moreover, the X-ray radiation level can increase significantly with aging and gradual deterioration, due to leakage paths or emission characteristics as they are af-

ected by the high voltage. X-ray shielding must be provided on all sides of tubes operating at these voltages to provide adequate protection throughout the tube's life. Periodic checks on the X-ray level should be made, and the tube should never be operated without adequate shielding in place when voltages above 10 kilovolts are in use. Lead glass, which attenuates X-rays, is available for viewing windows. If there is any doubt as to the requirement for or the adequacy of shielding an expert in this field should be contacted to perform an X-ray survey of the equipment.

Operation of high-voltage equipment with interlock switches "cheated" and cabinet doors open in order to be better able to locate an equipment malfunction can result in serious X-ray exposure.

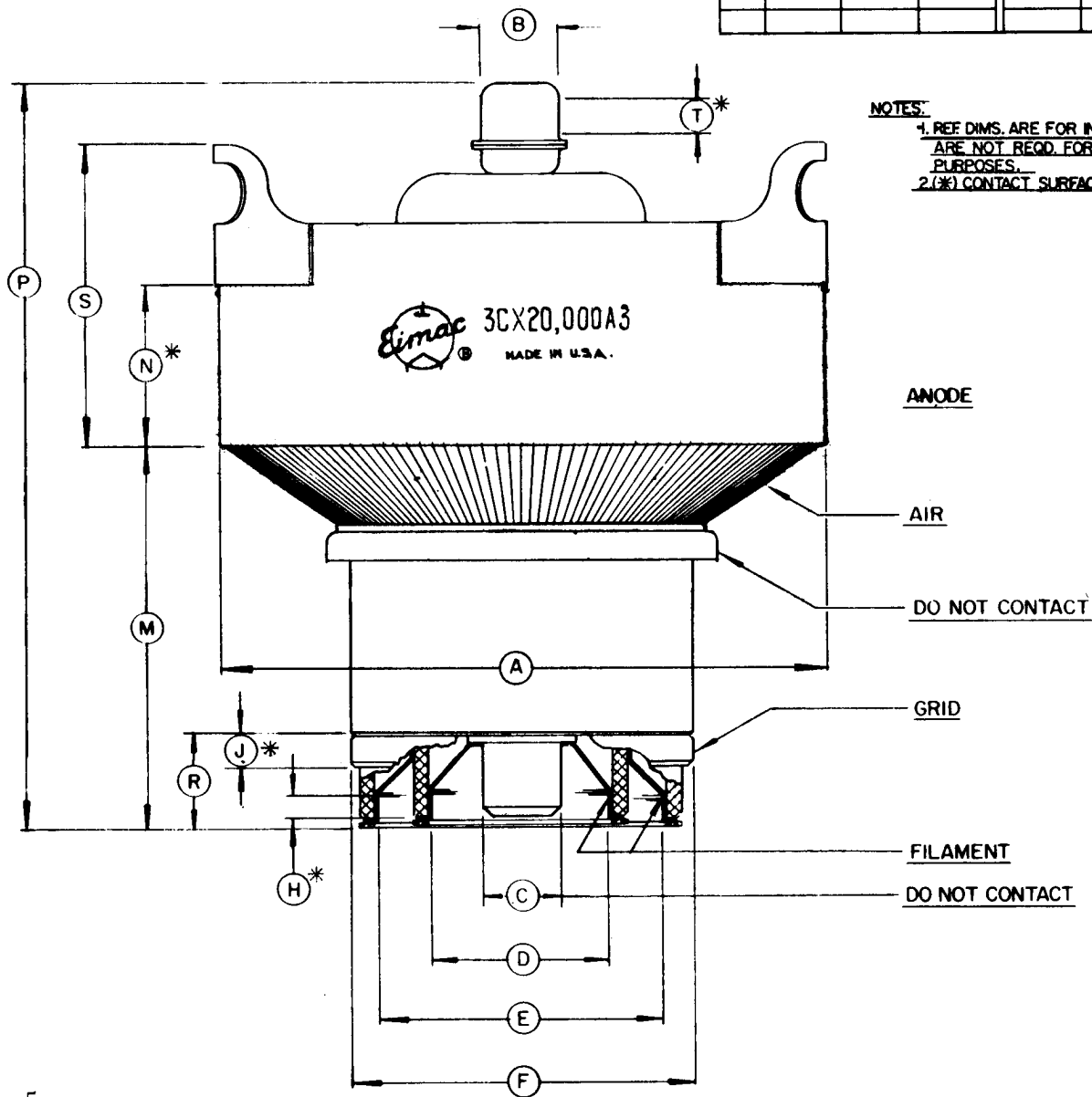
**INTERELECTRODE CAPACITANCE** - The actual internal interelectrode capacitance of a tube is influenced by many variables in most applications, such as stray capacitance to the chassis, capacitance added by the socket used, stray capacitance between tube terminals, and wiring effects. To control the actual capacitance values within the tube, as the key component involved, the industry and the Military Services use a standard test procedure as described in Electronic Industries Association Standard RS-191. This requires the use of specially constructed test fixtures which effectively shield all external tube leads from each other and eliminates any capacitance reading to "ground". The test is performed on a cold tube. Other factors being equal, controlling internal tube capacitance in this way normally assures good interchangeability of tubes over a period of time, even when the tube may be made by different manufacturers. The capacitance values shown in the manufacturer's technical data, or test specifications, normally are taken in accordance with Standard RS-191.

The equipment designer is therefore cautioned to make allowance for the actual capacitance values which will exist in any normal application. Measurements should be taken with the socket and mounting which represent approximate final layout if capacitance values are highly significant in the design.

**SPECIAL APPLICATION** - If it is desired to operate this tube under conditions widely different from those listed here, write to Power Grid Tube Division, EIMAC Division of Varian, 301 Industrial Way, San Carlos, California 94070, for information and recommendations.

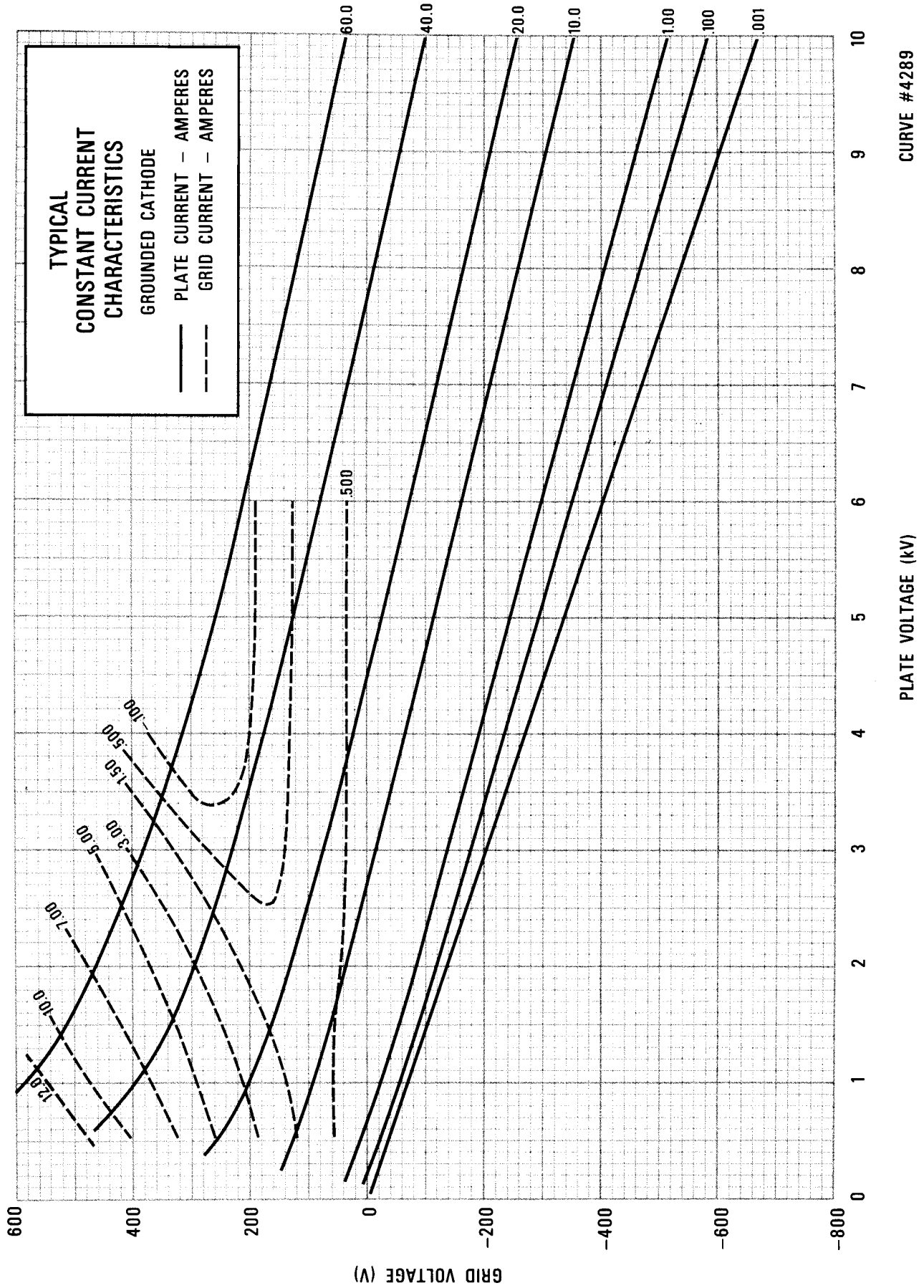
DIMENSIONAL DATA

DIM.	INCHES			MILLIMETERS		
	MIN.	MAX.	REF.	MIN.	MAX.	REF.
A	--	--	8.000	--	--	204.00
B	0.855	0.895	--	21.70	22.70	--
C	0.720	0.760	--	18.30	19.30	--
D	1.896	1.936	--	--	--	48.00
E	3.133	3.173	--	79.58	80.59	--
F	3.792	3.832	--	96.32	97.33	--
H	0.188	--	--	4.77	--	--
J	0.188	--	--	4.77	--	--
M	3.800	4.150	--	96.50	105.00	--
N	--	--	3.200	--	--	81.28
P	--	--	10.000	--	--	254.00
R	0.986	1.050	--	25.10	26.70	--
S	--	--	5.000	--	--	127.00
T	0.375	--	--	9.50	--	--



NOTES:

1. REF DIMS. ARE FOR INFO ONLY  
ARE NOT REQD. FOR INSPECTION  
PURPOSES.
2. (\*) CONTACT SURFACES.



CURVE #4289