

# EDISWAN

## 30C4

### 5½" MAGNETIC CATHODE RAY TUBE for Film Scanning

---

30C4

#### GENERAL

The 30C4 is a magnetically focussed and deflected cathode ray tube for Film Scanning. The tube is aluminised, has a polished flat face, and is available with either a T3 or T5 short persistence screen.

#### RATING

Heater Voltage (volts)	V <sub>h</sub>	2.0
Heater Current (amps)	I <sub>h</sub>	1.3 ←
Maximum Anode Voltage (volts)	V <sub>a(max)</sub>	10,000

All maximum ratings are Absolute values not Design Centres.

#### INTER-ELECTRODE CAPACITANCES (pF)\*

Grid 1/All other electrodes	c <sub>g-all</sub>	5.0
Cathode/All other electrodes	c <sub>k-all</sub>	5.0

\* These capacitances include a Benjamin Type Wafer Octal Holder.

#### SCANNING ANGLE—40°

#### DIMENSIONS

Maximum Overall length	(mm)	373
Maximum Overall Diameter	(mm)	142 ←
Maximum Neck Diameter	(mm)	35
Approximate Nett Weight	(lbs)	1½
Approximate Packed Weight	(lbs)	15

---

Indicates a change ←

April 1960

Issue 2/8

**ASSOCIATED ELECTRICAL INDUSTRIES LTD.**

RADIO & ELECTRONIC COMPONENTS DIVISION

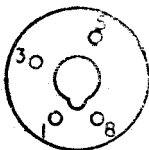
30CA

**EDISWAN****30C4****5½" MAGNETIC CATHODE RAY TUBE  
for Film Scanning**TYPICAL OPERATION

Anode Voltage	(volts)	$V_a$	9000
Grid Voltage for cut-off of raster	(volts)	$-V_{g1}$	45-98
Average Peak to Peak Modulating voltage for modulation up to $150\mu A$	(volts)		30
Maximum Peak to Peak modulating voltage for Limit Tube	(volts)		35

FOCUS

At an Anode voltage of 10kV, a focussing field equivalent to 900 Ampere-Turns is required, the centre of the air gap of the coil being sited 33mm in front of the grid plane.

ANODE CAP—Cavity (CT8)BASE—Mazda Octal (BO4)

Viewed from free end of pins.

April 1960

Issue 2/8

**ASSOCIATED ELECTRICAL INDUSTRIES LTD.**

RADIO &amp; ELECTRONIC COMPONENTS DIVISION

# EDISWAN

30C4

5½" MAGNETIC CATHODE RAY TUBE  
for Film Scanning

---

30C4

## CONNECTIONS

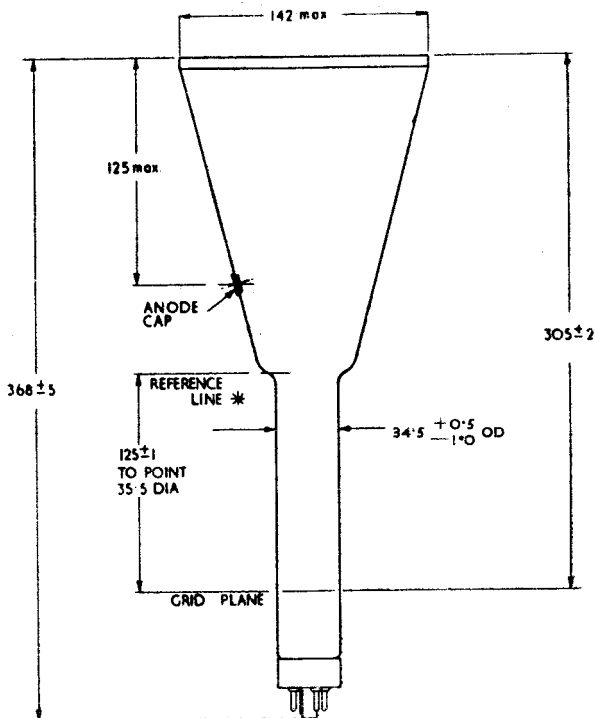
Pin 1	Heater	h
Pin 2	No Pin	NP
Pin 3	Cathode	k
Pin 4	No Pin	NP
Pin 5	Control Grid	g
Pin 6	No Pin	NP
Pin 7	No Pin	NP
Pin 8	Heater	h
Cap	Anode	a

30C4

# EDISWAN

## 30C4

### 5½" MAGNETIC CATHODE RAY TUBE for Film Scanning



All Dimensions in mm.

\*Determined by Reference Line Gauge No. 6. (See Section 3.)

April 1960

Issue 2/8

**ASSOCIATED ELECTRICAL INDUSTRIES LTD.**  
RADIO & ELECTRONIC COMPONENTS DIVISION