

Mullard PICTURE TUBE

MW22-5

PICTURE TUBE FOR TELEVISION RECEPTION

9 - Inch Screen.

Heater	Vf = 6.3 V
	If = 0.65 A
Capacity	Cg = 12.0 μF
Fluorescent Colour	- White
Deflection	- Double electromagnetic

→ Operating Conditions

Va2	5000	5000 V
Val	125	250 V
-Vg	0-50	0-100 V

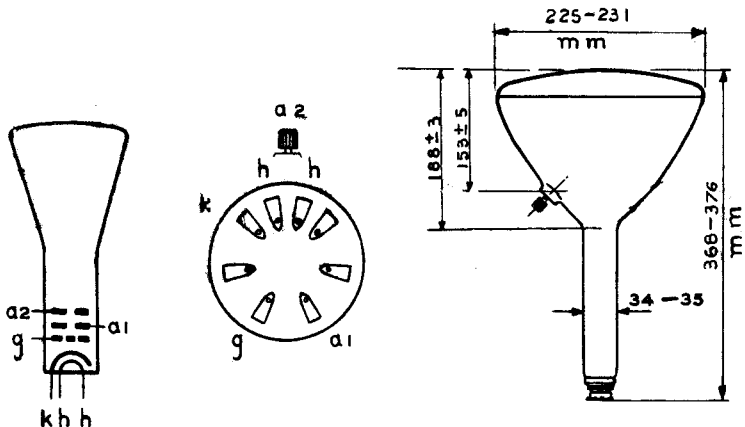
→ With centre of deflection coils 216 mm. from the screen, the deflection sensitivity is 0.09L mm. per gauss.

L = length of the electron path through the field of the deflection coil (mm.)

Limiting Values

Va2 max	5000	V
Val max	250	V
Ia2 max	100	μA
Screen dissipation (peak)	10	mW/cm^2
Screen dissipation (continuous)	2	mW/cm^2

Arrangement of electrodes and base connections



MW22-5.

1347/1

MW22-5

Mullard PICTURE TUBE

