

Central ELECTRONIC

MANUFACTURERS

DENVILLE, NEW JERSEY

HIGH
VACUUM
DIODE

XD - 27

DESCRIPTION

The Central XD-27 is a high vacuum high current diode of the low impedance type. This thoriated tungsten filament tube was designed for rectifier or clipper service, and is available in both water and air cooled versions.

SPECIFICATIONS:

PHYSICAL	Water	Air
Length	9 7/16	6 1/2 inches
Diameter	4	4 5/8 inches
Weight	1 1/2	5 1/2 Pounds (approx.)
Mounting Position	Vertical	Vertical
Mounting Socket (air version)	CAS-A or CAS-B series	
Type of Cooling		

Air			Water		
Velocity (cfm)	Anode Dissipation (Kw)	Pressure (in. of water)	Flow (gpm)	Anode Dis. (Kw)	
50	1.0	0.20	3	5	
75	1.8	0.26			
125	2.4	0.58			
190	3.0	1.21			

Max. Incoming Air Temperature	45°C (air version)
Max. Glass Seal Temperature	180°C (air version)
Max. Outlet Temperature	70°C (water version)

ELECTRICAL (RECTIFIER)

Filament	Thoriated Tungsten
Filament Voltage	13.0 Volt
Filament Current	36.0 Ampere
Peak Inverse Voltage (max.)	30 Kilovolts
Average Anode Current	3 Amperes
Peak Anode Current (max.)	15 Amperes

ELECTRICAL (CLIPPER)

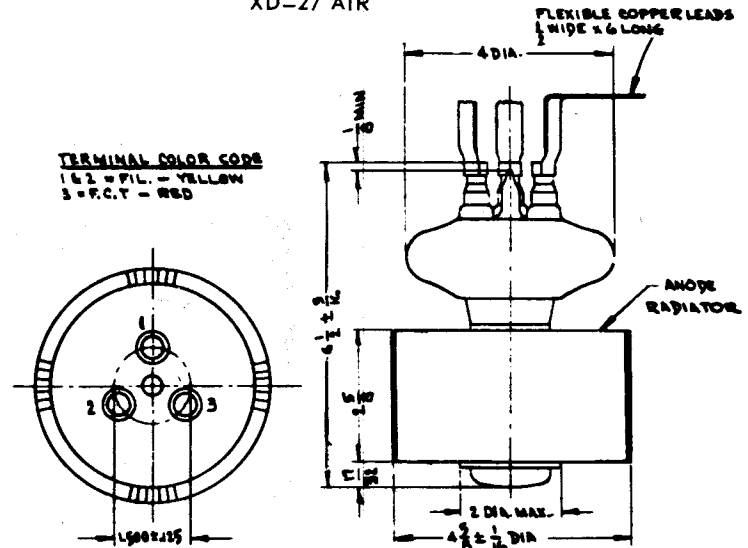
Filament Voltage	14.5 Volts
Filament Current	40.0 Amperes
Peak Inverse Voltage (max.)	30 Kilovolts
Peak Anode Current (max.)	150 Amperes
CAS Anode Current	6 Amperes

X-RAY INFORMATION

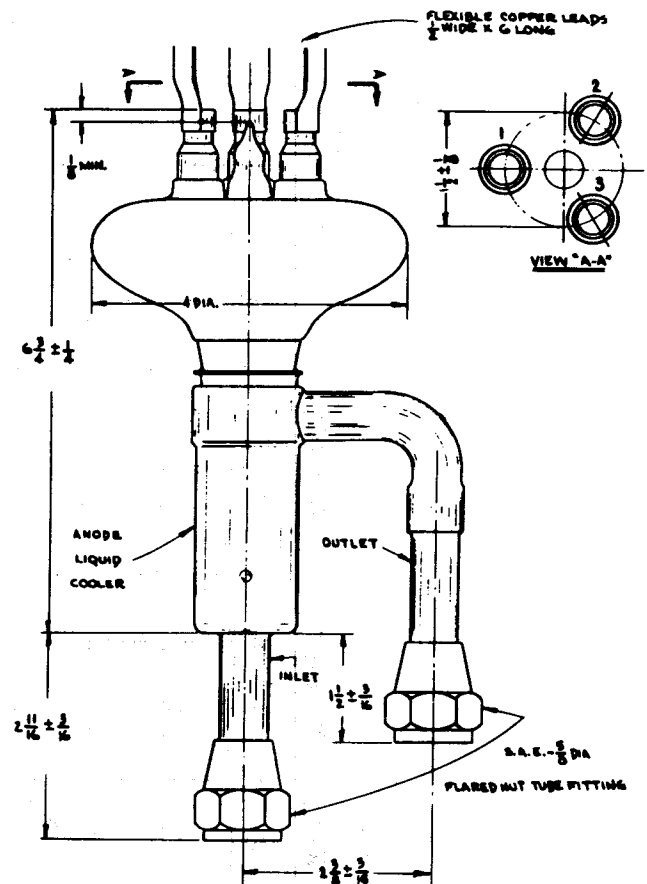
WARNING FOR POSSIBLE X-RAY GENERATION
See Safety Code for the Industrial Use of X-Rays published by the American Standards Association.

Over

XD-27 AIR



XD-27 WATER



PROVISIONAL DATA
Issued 8-60
Check factory before finalizing designs.



