

**6ED4****6ED4****Oscilloscope Tube**

ELECTROSTATIC FOCUS. ELECTROSTATIC DEFLECTION

## DATA

**GENERAL :**

Heater: Voltage . . . . 4.0 . . . . a.c. or d.c. volts.  
 Current . . . . 1.0 . . . . amp.

Direct Inter-electrode Capacitances.

Modulator to all other electrodes . . . . 25 $\mu$ f.Each X Plate to all other electrodes . . . . 25 $\mu$ f.Each Y Plate to all other electrodes . . . . 25 $\mu$ f.One X to one Y Deflector Plate . . . . 6 $\mu$ f.Cathode to all other electrodes . . . . 15 $\mu$ f.

Screen :

Fluorescence . . . . . Blue.

Afterglow . . . . . Yellow.

Persistence of Afterglow . . . . . Long.

(10 sec. min./100 sec. max. for 1% initial brightness).

Focusing Method . . . . . Electrostatic.

Deflecting Method . . . . . Electrostatic.

Overall Length . . . . . 421  $\pm$  10 mm.

Greatest Diameter of Bulb . . . . . 160 mm.

Minimum Useful Screen Diameter . . . . . 130 mm.

Mounting Position . . . . . Any.

Base . . . . . B.12.D.

Pin 1—Modulator.

Pin 2—Cathode.

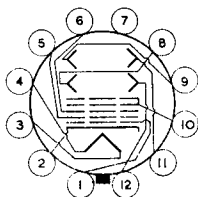
Pin 3—Heater.

Pin 4—Heater.

Pin 5—Anode 1.

Pin 6—Anode 2.

Pin 7—No connection.



Pin 8—Y2.

Pin 9—X2.

Pin 10—Anode 3 and  
Internal Conductive  
coating.

Pin 11—X1.

Pin 12—Y1.

**Typical Operating Conditions :**

Anode 1 . . . . . 2000 volts. 2000 volts.

Anode 2 . . . . . 700 volts. 400 volts.

Anode 3 (5000v. max.) . . . 4000 volts. 2000 volts.

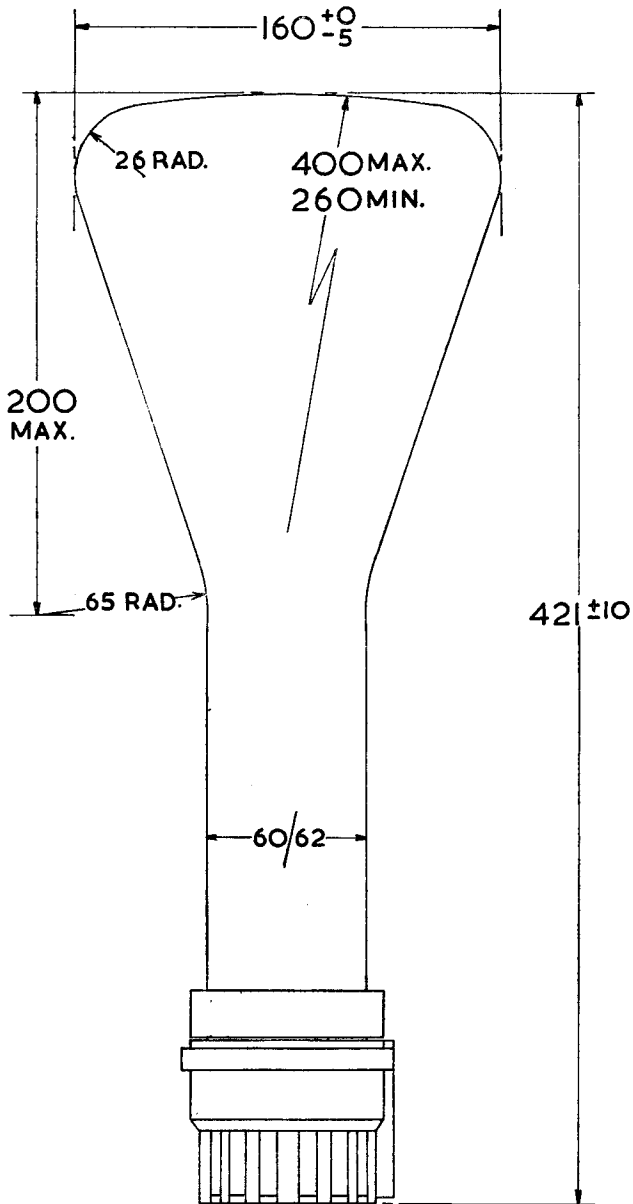
Modulator volts for cut-off  
-40 to -80 volts. -40 to -80 volts.**Deflection Sensitivity :** mm/volt. mm/volt.

X Plate . . . . . 0.160 0.320

Y Plate . . . . . 0.295 0.590

Note 2. The angle between the trace produced by X1 and X2 and the trace produced by Y1 and Y2 is  $90^\circ \pm 3^\circ$ .

Note 3. The undeflected focused spot will fall within a circle having a 10 mm. radius concentric with the centre of the tube face.



**ALL SIZES IN MILLIMETRES**

**Note 1.** When viewing the screen with the tube positioned such that the base spigot is uppermost, a positive voltage applied to the terminal X1 will deflect the spot to the left and a positive voltage applied to the terminal Y1 will deflect the spot upwards.