



RADIO MANUFACTURERS ASSOCIATION
ENGINEERING DEPARTMENT

TYPE 1P31*

Release No. 397

February 10, 1945

sponsored by
Continental Electric Co.

(Gas Filled Phototube;
2 Electrodes)

GENERAL CHARACTERISTICS

Electrical

Spectral Response	S1
Luminous Sensitivity at 95 volts, 0 cycles	Nom. 75 ua/Lumen (Min. 55 ua/Lumen)
Max. gas amplification	10
Interelectrode Capacitances	1.5 - 6.5 uuf
Maximum dark current at 95 V	0.1 ua
Wavelength of maximum response	Approx. 8000 A
Sensitivity at maximum response	0.007 ua/uwatt

Mechanical

Window Dimensions (Min. Useful)	1.47 x 0.97
Seated Height to Center of Useful Cathode Area	2.9" Approx.
Maximum Overall Height	4.500 in.
Maximum Seated Height	4.500 in.
Maximum Diameter	2.375 in.
Base	Special Base
Permissible Mounting Position	Any
Base Connections	6" Lead Cathode 4" Lead Anode

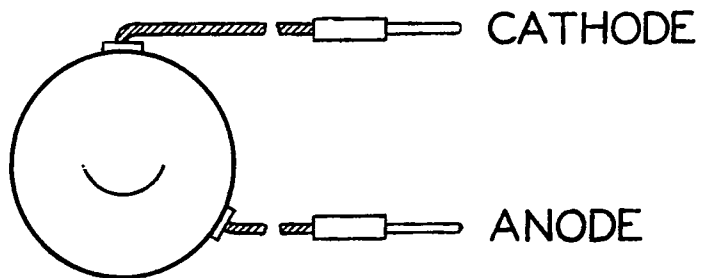
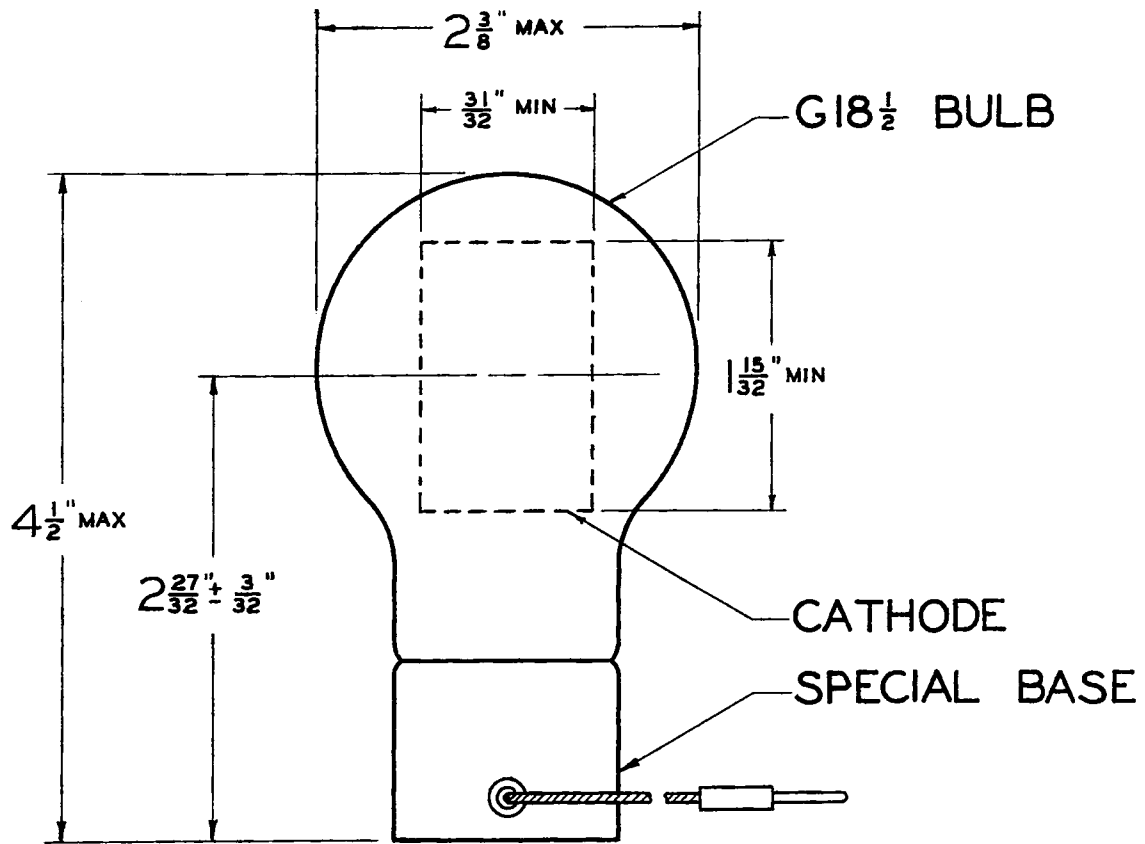
Max. Ratings (Absolute)

Anode Voltage (DC or Peak AC)	95 Volts
Cathode Current Density	100 ua/in.
Average Cathode Current based on 0.2 sq. in. of sensitive cathode area	20 ua
Ambient Temperature	100°C

*(CE-3D; WE-3A; 79A; G10)



RMA TYPE IP 31





SPECIAL BASE FOR IP 31

