



RADIO MANUFACTURERS ASSOCIATION
ENGINEERING DEPARTMENT

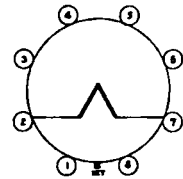
Sponsor:
General Electric Co.

Registration No. 356
November 15, 1943

TYPE 4A21

BALLAST TUBE

4T



GENERAL CHARACTERISTICS

Electrical

Mean Current	1.62 Amperes
Mean Current Range*	1.59 to 1.65 Amperes
Voltage Range ($\pm 2\%$ Current Variation)**	11 to 15 Volts

Mechanical

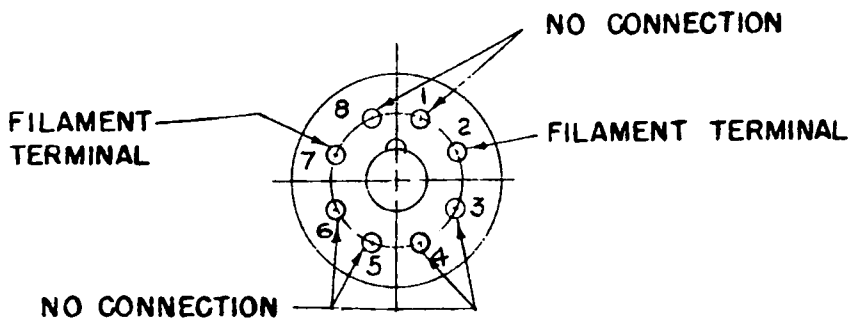
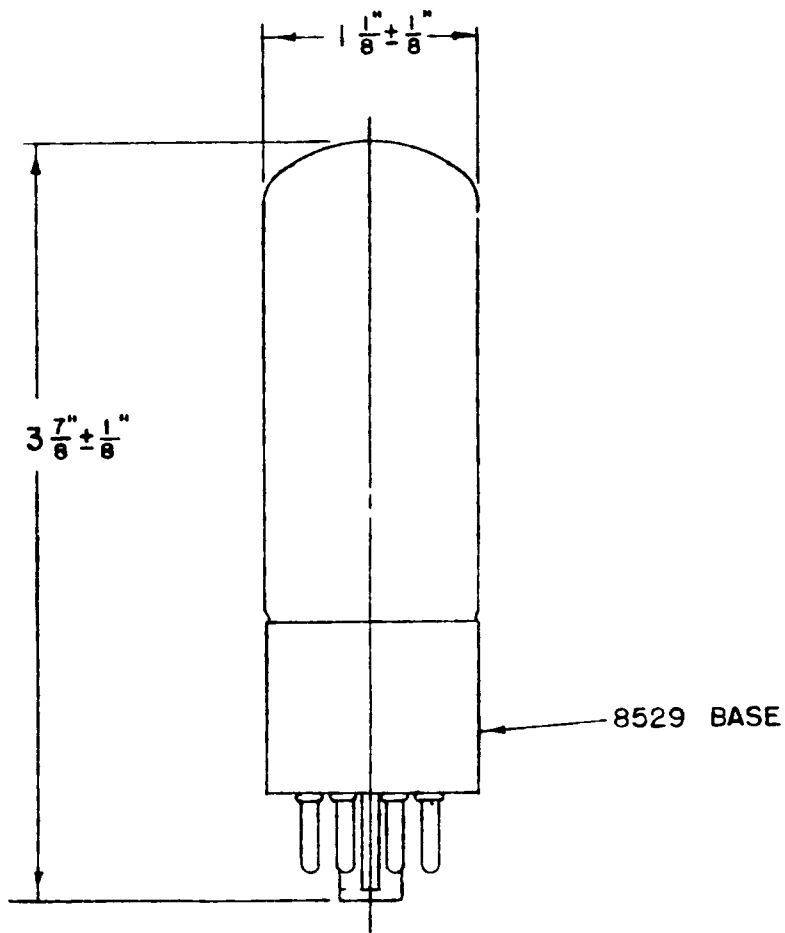
Filament	Iron Wire
Maximum Overall Height	4 Inches
Maximum Diameter	1-1/4 Inches
Base Description	M8-055
Basing	4T
Mounting Position	Any
Net Weight, Approx	1 Ounce

MAXIMUM RATINGS

Current***	1.70 Amperes
Ambient Temperature Range	-30 to +80° C

- * Denotes maximum and minimum values of mean current to be expected in a lot of tubes, measured within the voltage range which gives a ± 2 per cent current variation.
- ** In this range of voltage the current will not vary more than ± 2 per cent of the mean current of the individual tube.
- *** Denotes maximum continuous current which can be passed continuously through the tube without causing permanent damage.

RMA TYPE 4A21



ANNOUNCEMENT OF REGISTRATION
RELEASE NO. 356