



ELECTRICAL DATA

RATINGS

Transmitter Peak Power (min.)	20 kw
Transmitter Peak Power (max.)	1000 kw

GENERAL DATA

Center Frequency	3400 mc
Loaded Q (max.)	5.5

Low Level Characteristics:

Equivalent Conductance at Center Frequency (max.)	0.05
---	------

Tuning Susceptance at Center Frequency	± 0.05
--	------------

High Level Characteristics:

Firing Time (max.) (1)	10 sec
Arc Loss (max.) (1)	0.8 db

NOTES:

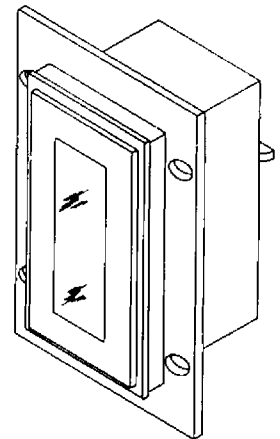
- (1) Tested with line RF power of 20 kw, 1 usec pulse length, 1000 pps, and $3350 \pm 3\%$ mc.

MECHANICAL DATA

Dimensions:	Per outline.
Mounting Position:	Any.
Ambient Temperature Range:	-40°C to +100°C

QUICK REFERENCE DATA

The Sylvania Type 5922 is an anti-transmit-receive tube designed for use at a center frequency of 3400 megacycles.

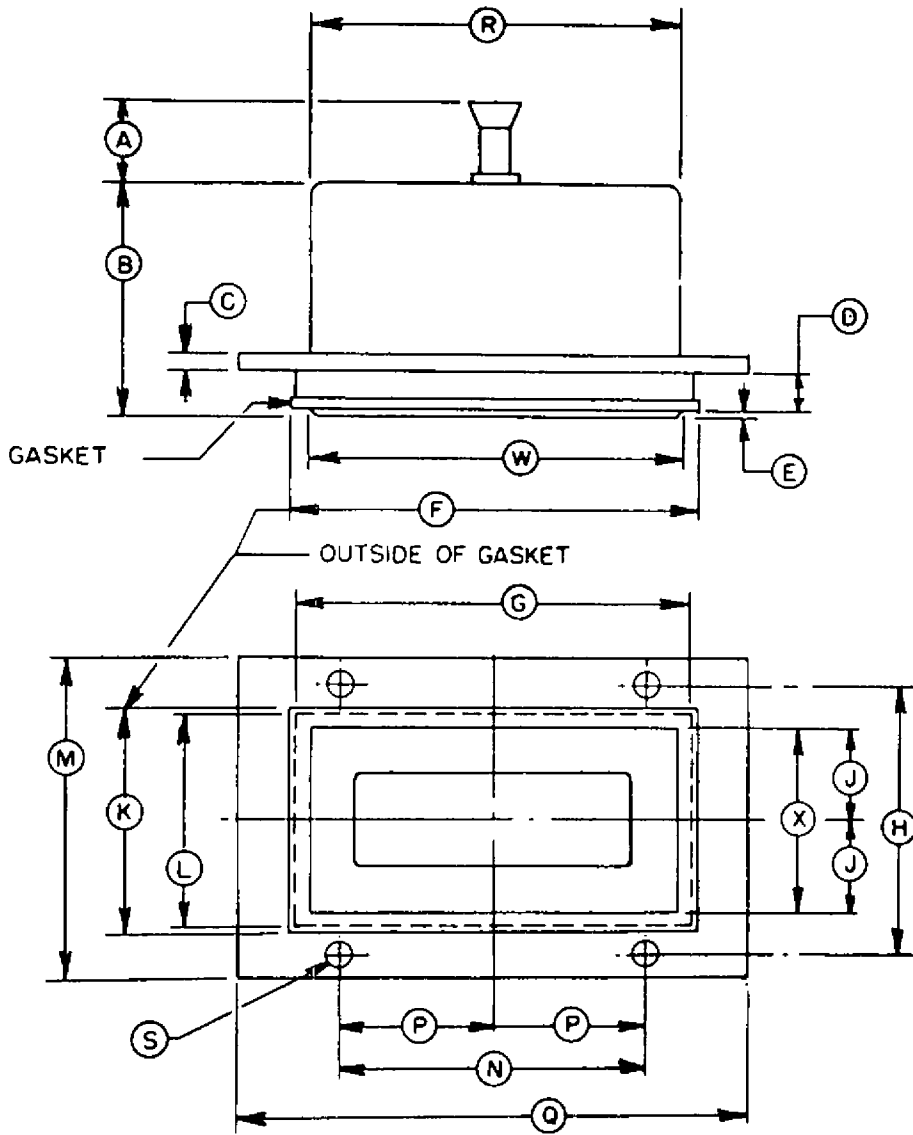


SYLVANIA ELECTRIC
PRODUCTS, INC.

Electronics Division

Woburn, Mass.

AUGUST 25, 1954



REF	DIMENSIONS
A	$\frac{5}{8}$ MAX
B	$1\frac{7}{8}$ MAX
C	$\frac{1}{8} \pm \frac{1}{64}$
D	$.297 \pm .020$
E	$.065 \pm .015$
F	3.223 MAX
G	$3.218 \pm .015$
H	$2.250 \pm .010$
J	$1.125 \pm .005$
K	1.723 MAX
L	$1.718 \pm .015$
M	$2\frac{5}{8} \pm \frac{1}{64}$
N	$2.500 \pm .010$
P	$1.250 \pm .005$
Q	$4\frac{1}{8} \pm \frac{1}{64}$
R	$3.00 \pm .015$
S	$\frac{7}{32} \pm \frac{1}{64}$ DIA 4 HOLES
T	$1\frac{1}{2} \pm \frac{1}{64}$
W	$3.000 \pm .010$
X	$1.500 \pm .010$