



TYPE 6162

JETEC Registration Data

ATR Gas Switching Tube

The Type 6162 is a broad-band ATR gas switching tube designed to decouple effectually the transmitter from a common transmitting and receiving antenna during a non-transmitting period, in radar applications.

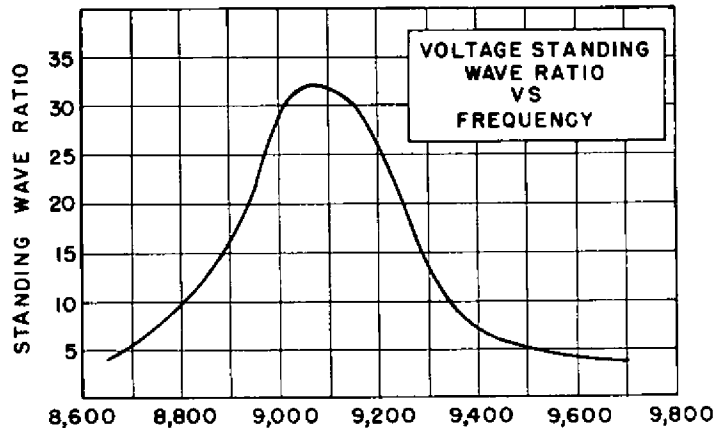
ELECTRICAL DATA

Center Frequency	9,080	megacycles
Operational Band at Minimum Voltage		
Standing Wave Ratio of 5	8,750 to 9,410	megacycles
Loaded Q, maximum	6.5	
Transmitter Peak Power, minimum	4	kilowatts
Normalized Conductance at Center Frequency	0.1	
Normalized Susceptance at Center Frequency	±0.06	
Arc Power Loss,* maximum	0.8	db

MECHANICAL DATA

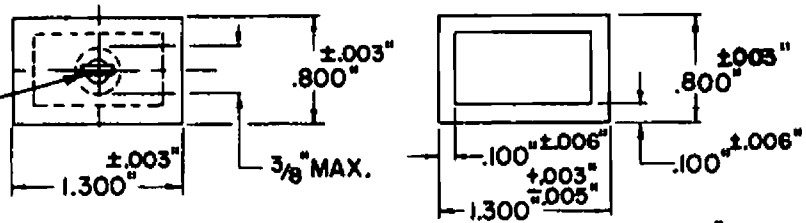
Mounting Position	Any	
Ambient Temperature Range (non operating) ..	-40 to +100	°C
Net Weight, approximate	0.13	pounds

*At a peak power of 4 kilowatts, pulse repetition rate of 1,000 pulses per second, pulse width of 0.5 microseconds and a frequency of 9,025 (±4%)



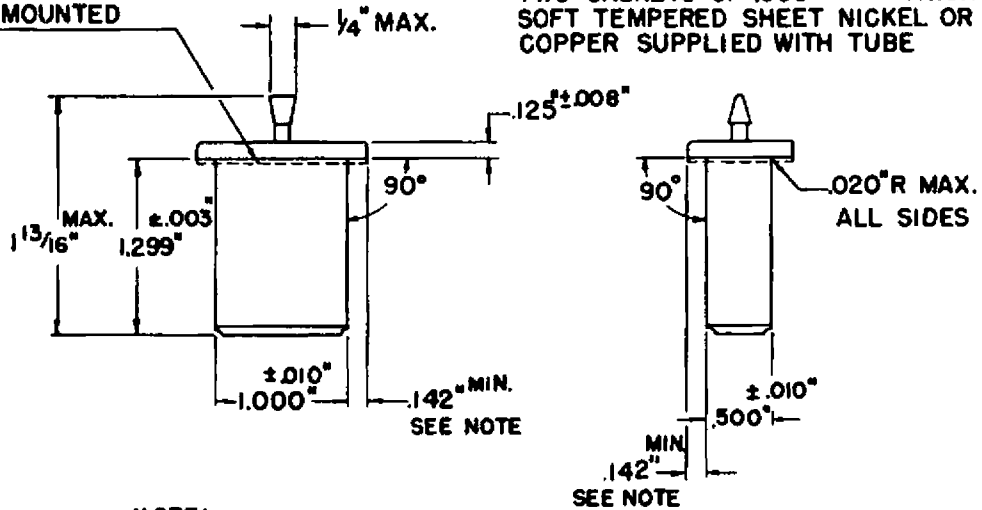
OUTLINE

THE TUBULATION SHALL FALL WITHIN A CIRCLE OF $\frac{3}{8}$ " DIA. MAX.



POSITION OF GASKET WHEN MOUNTED

TWO GASKETS OF $.003 \pm .0005$ " THICK SOFT TEMPERED SHEET NICKEL OR COPPER SUPPLIED WITH TUBE



NOTE:

MEASURED AT EDGES ON BOTTOM OF TUBE.