

EMITRON - 6351  
 EMI SALES & SERVICE, LTD.  
 Hayes, Middlesex  
 England

The type 6351 is a secondary emission pentode for use as a wide-band radio frequency amplifier. The single stage secondary emitter acts as an electron multiplier which extends the use of the tube for applications where high transconductance is desirable.

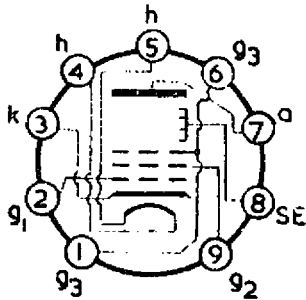
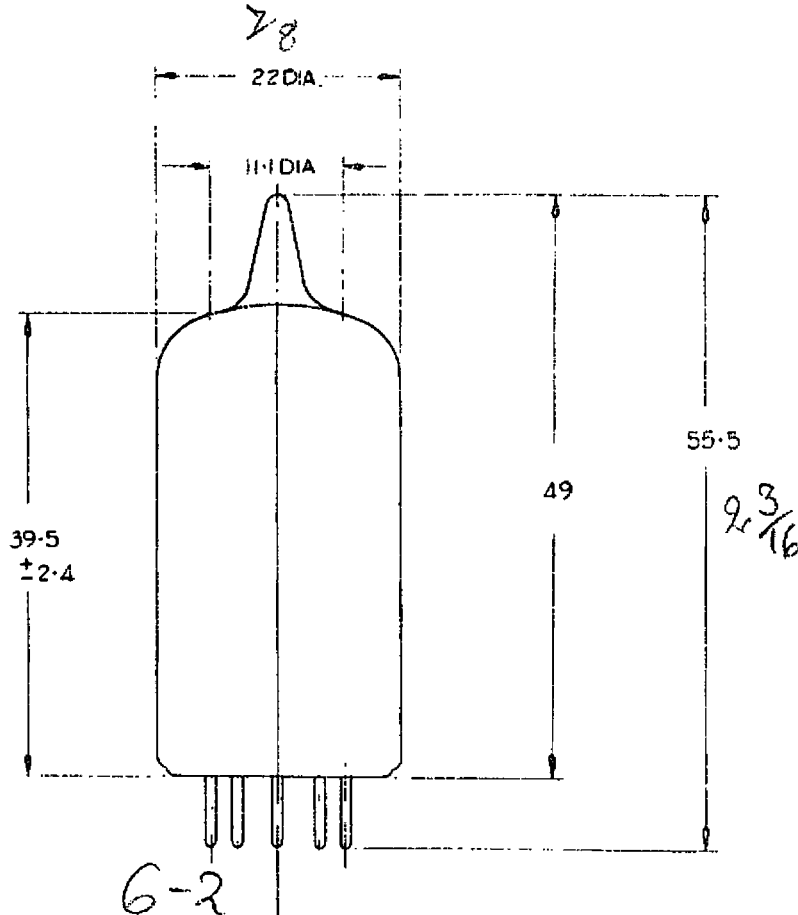
Heater Current	0.3 A.
Heater Voltage	6.3 V.
Cathode	Indirectly heated.
Classification	D/22.07091.0501
Max. Anode Voltage	400 V.
Max. S. E. Voltage	250 V.
Max. Screen Voltage	250 V.
Max. Anode Dissipation	2.5 W.
Max. S. E. Dissipation	2.0 W.
Max. Screen Dissipation	0.8 W.
* Mutual Conductance	19 mA/V.
* Anode Impedance	50,000 ohms
* Amplification Factor	100
	( $\mu$ g1-g2)

\* Measured at  $V_a = 350$  V.  
 $V_{SE} = V_{g2} = 250$  V.  
 $I_a = 15$  mA.

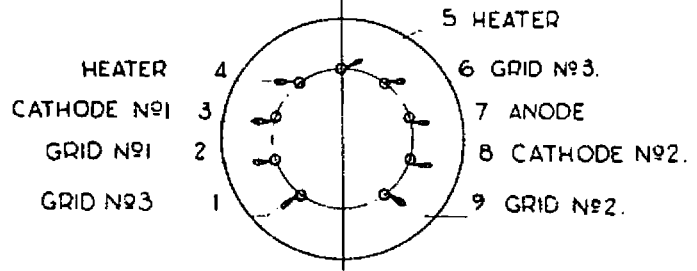
BULB - TUBULAR, GLASS

DIMENSIONS

Overall Length - Max. 56.0 mms  
 Seated Length - Max. 49.0 mms  
 Diameter - Max. 22.2 mms



Basing - 9DN



EXTERNAL VIEW