

engineering TUBE DATA

F-8034 *
POWER DIODE



Components Division

DESCRIPTION

The F-8034 is a high vacuum, external anode diode designed for rectifier service or in special applications in shunting or charging circuits wherever high peak inverse voltages, extreme environmental conditions, or high operating frequencies and transients are present. The exceptionally rugged construction, free of internal insulators, spring tensioning devices and fragile elements, make this type adaptable to a wide range of uses. The anode is forced air-cooled and is capable of dissipating 3 kilowatts. The cathode is a thoriated tungsten filament.

ELECTRICAL

Filament Voltage				7.5 volts
Filament Current				51 amperes
Maximum Ratings:	<u>Shunt</u>	<u>Charging</u>		<u>Rectifier</u>
Max. Peak Inverse Voltage	25	25		25 kilovolts
Max. Peak Plate Current **	70	4.5 rms		20 amperes
Max. Average Plate Current	λ	-		3.0 amperes

**Maximum peak plate current for shunt conditions are rated under conditions of filament excitation voltage of 8.25 volts.

λ Because of the wide variety of operating conditions, it is advisable that tube operation recommendations be obtained from our Engineering Department for specific conditions.

* Formerly D-1045



ELECTRON TUBE DEPARTMENT
COMPONENTS DIVISION

INTERNATIONAL TELEPHONE AND TELEGRAPH CORPORATION

P. O. BOX 412, CLIFTON, NEW JERSEY

F-8034
POWER
DIODE

- 2 -

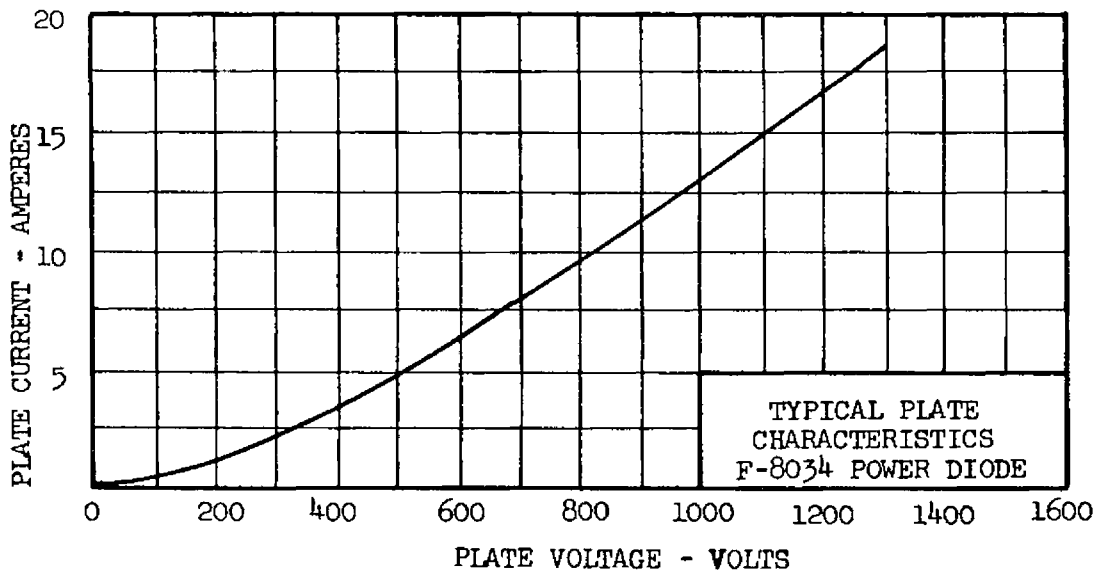
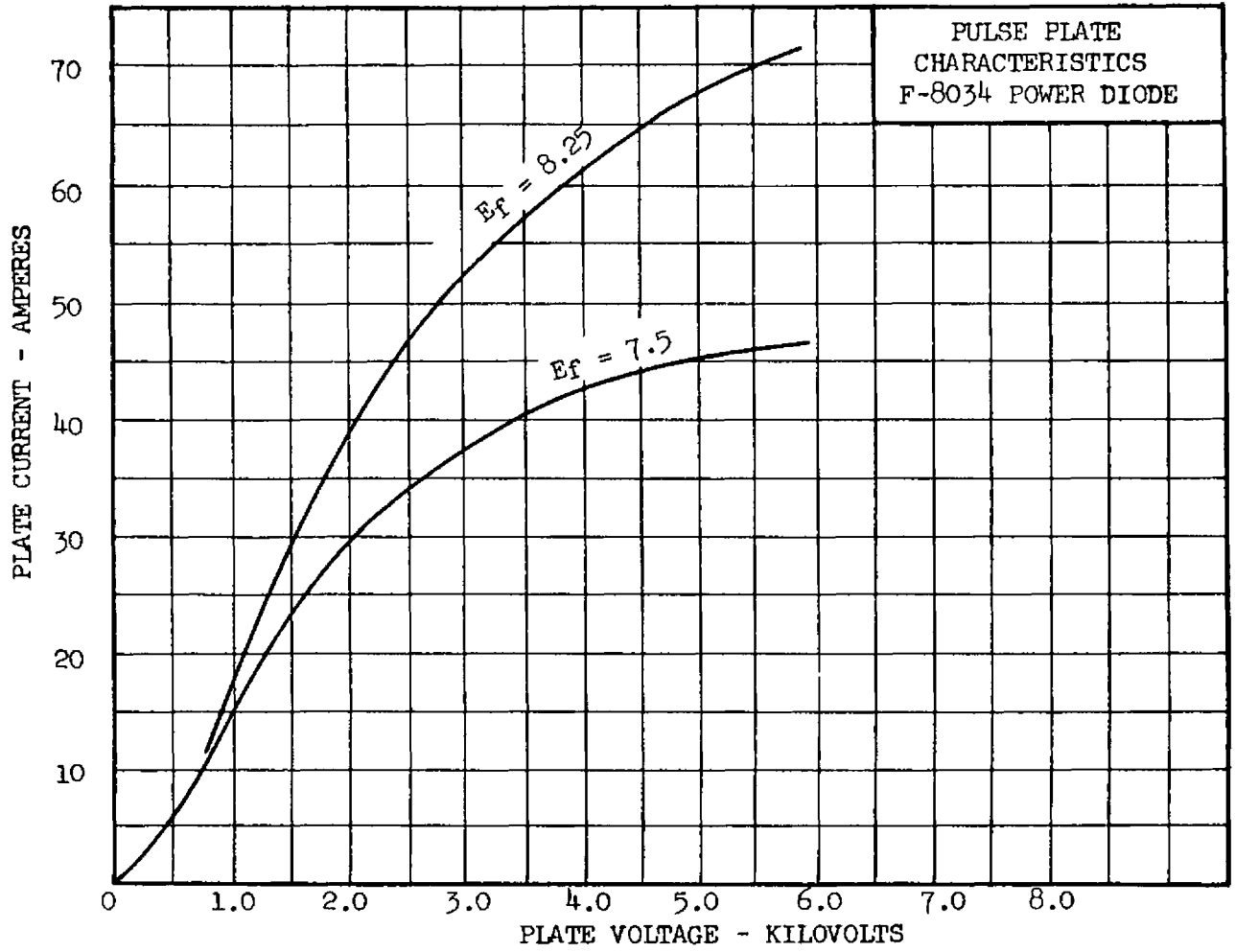
MECHANICAL

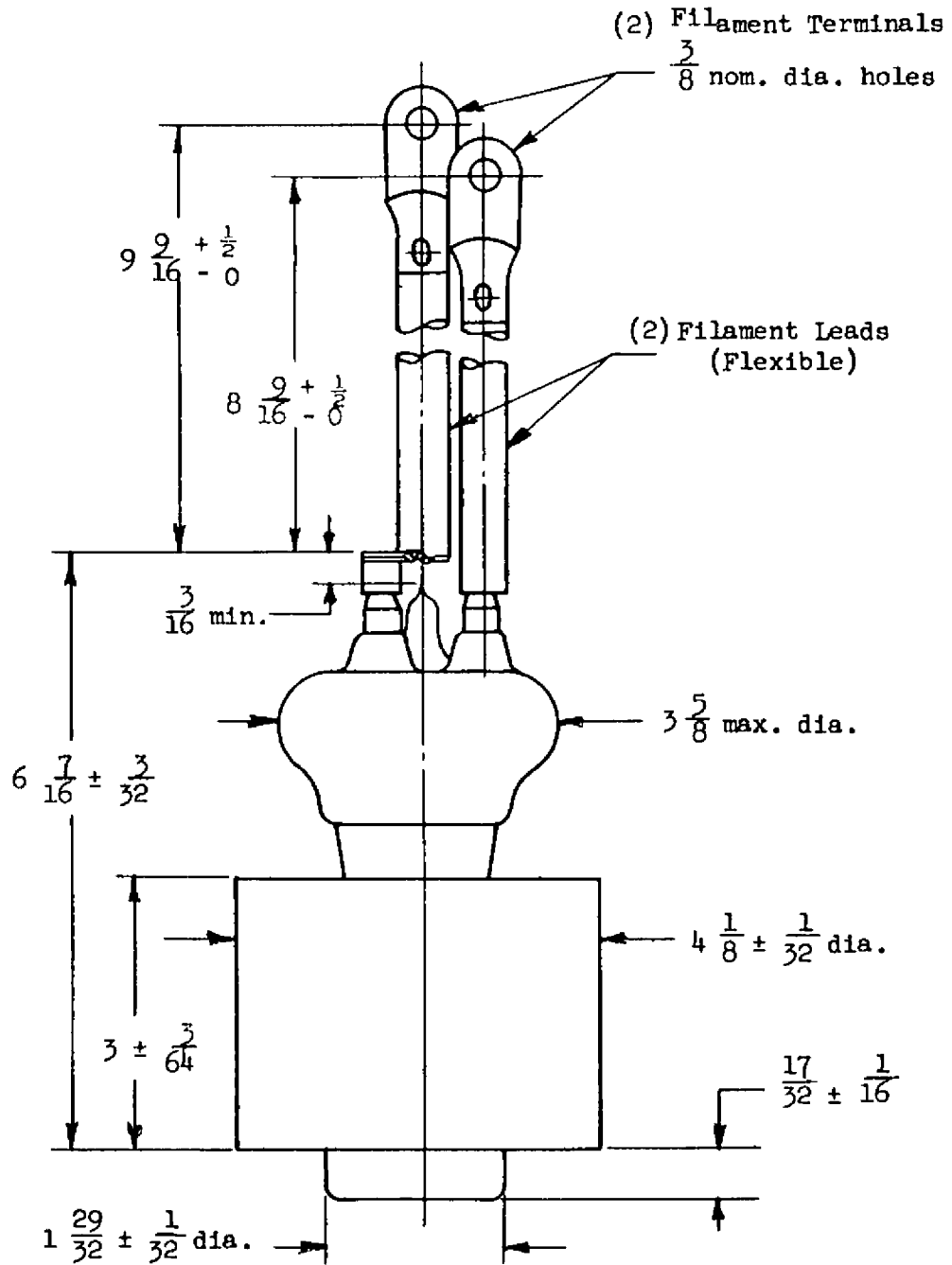
Mounting Position			Vertical, anode up or down
Type of Cooling			Forced Air
Anode Air Flow Required			
Plate Dissipation	1.8	2.4	3.0 kilowatts
Air Flow, minimum	90	130	165 cfm
Pressure	1.0	2.0	3.0 inches of water
Max. Incoming Air Temperature			20 °C
Max. Glass & Seal Temperature†			180 °C
Net Weight, approx.			6.75 pounds

† A temperature sensitive lacquer manufactured by the Tempil Corporation, 132 West 22nd Street, New York, New York, is convenient for this measurement.

Additional information for specific applications can be obtained from the:

Electron Tube Applications Section
ITT Components Division
P.O. Box 412
Clifton, New Jersey





ACCESSORIES

- Air Jacket - RT-54893
(Ordering No.)
- RT-54894
(Outline Dwg.)

OUTLINE

F-8034 POWER DIODE